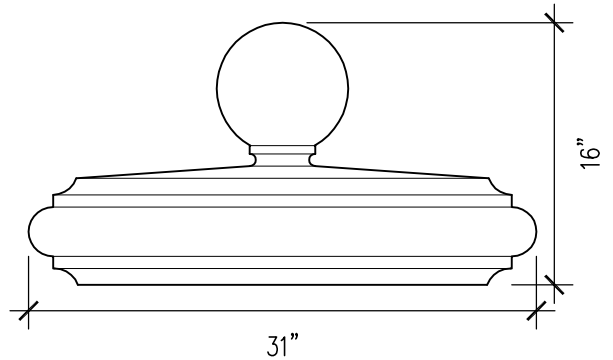
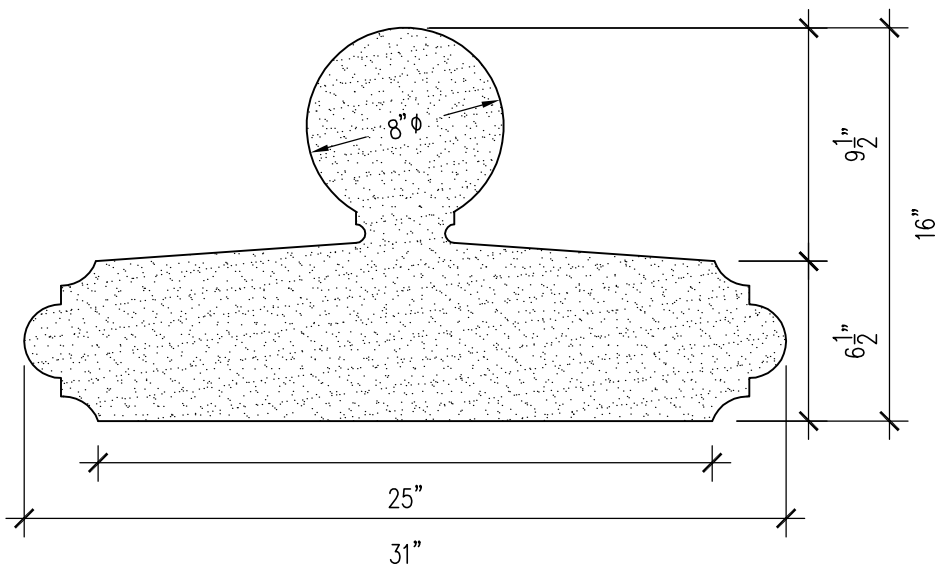


A **PC-2**
PLAN VIEW
SCALE: 1" = 1'-0"



B **ELEVATION**
SCALE: 1" = 1'-0"



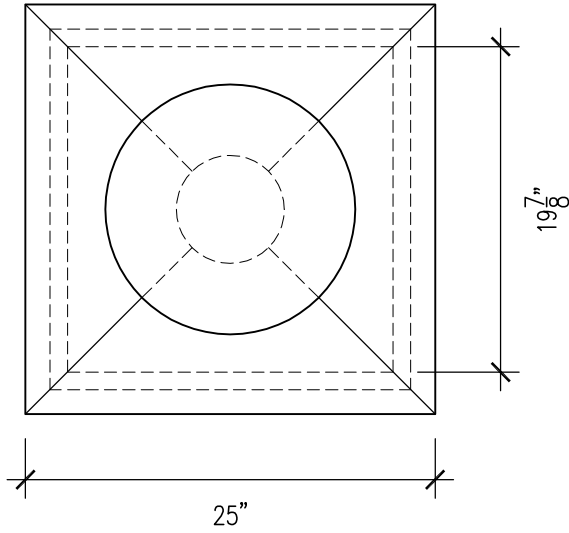
C **SECTION**
SCALE: 1 1/2" = 1'-0"



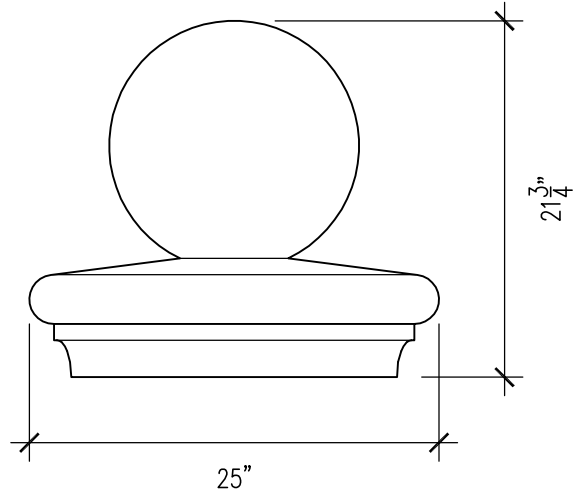
**MOONLIGHT
MOLDS, inc.**

13720 S. Western Ave., Unit A · Gardena, CA 90249
Phone: (310)538-9142 · Fax: (310)538-9717

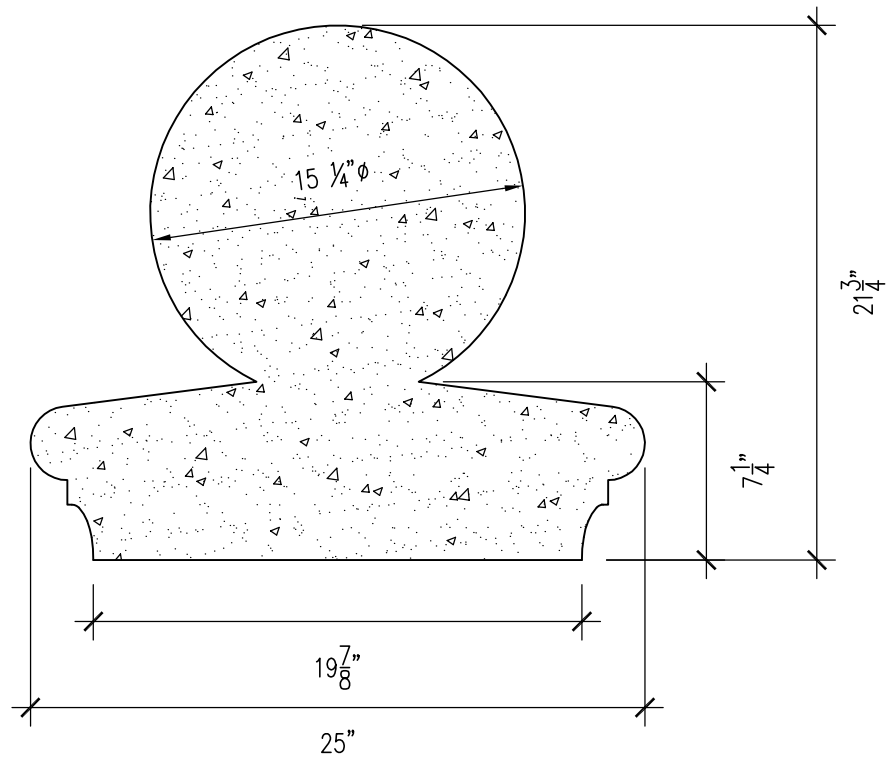
Project Name: POST CAP (PC-2)	
Customer Name:	
Date Drawn: 7-5-2000	Drawn By: SZ
Job Number:	Sheet Number: 23-1-02



A PC-03 - PLAN VIEW
SCALE: 1" = 1'-0"



B PC-03 - ELEVATION
SCALE: 1" = 1'-0"



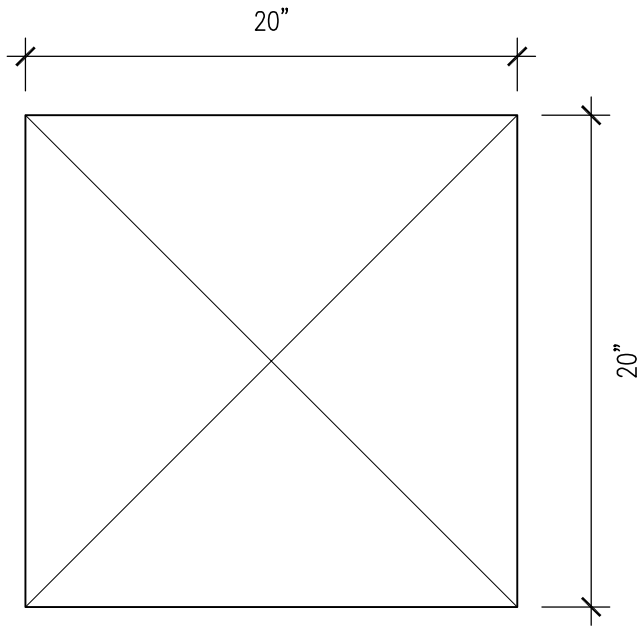
C PC-03 - SECTION
SCALE: 1 1/2" = 1'-0"



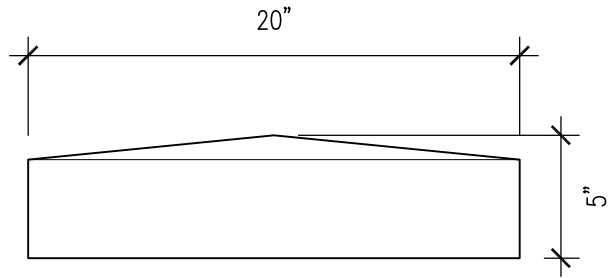
**MOONLIGHT
MOLDS, inc.**

13720 S. Western Ave., Unit A · Gardena, CA 90249
Phone: (310)538-9142 · Fax: (310)538-9717

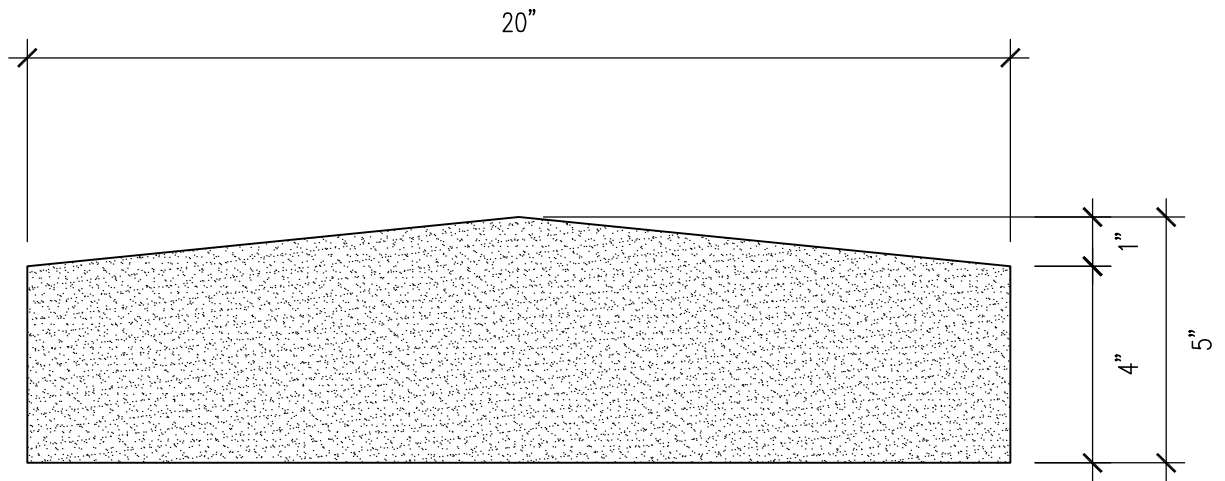
Project Name: POST CAP (PC-03)	
Customer Name:	
Date Drawn: 12-24-2003	Drawn By: CRG
Job Number:	Sheet Number: 23-1-03



A **PC-4
PLAN VIEW**
SCALE: 1 1/2" = 1'-0"



B **ELEVATION**
SCALE: 1 1/2" = 1'-0"



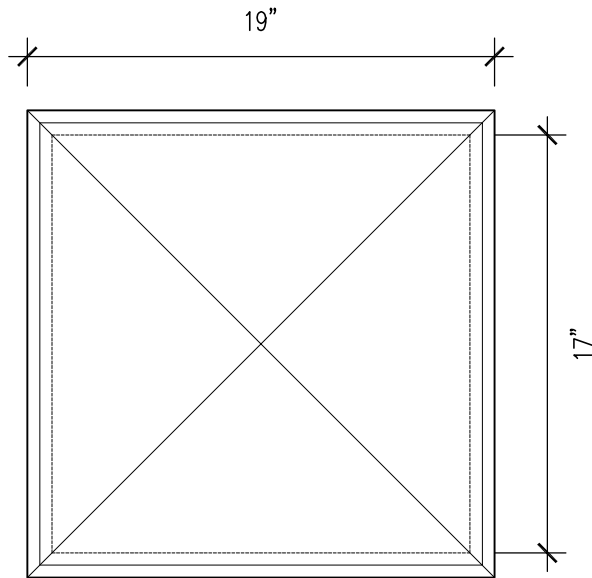
C **SECTION**
SCALE: 3" = 1'-0"



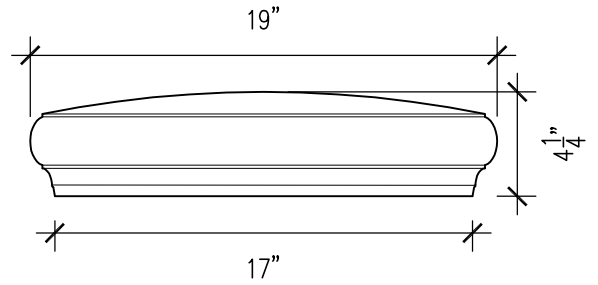
**MOONLIGHT
MOLDS, inc.**

13720 S. Western Ave., Unit A · Gardena, CA 90249
Phone: (310)538-9142 · Fax: (310)538-9717

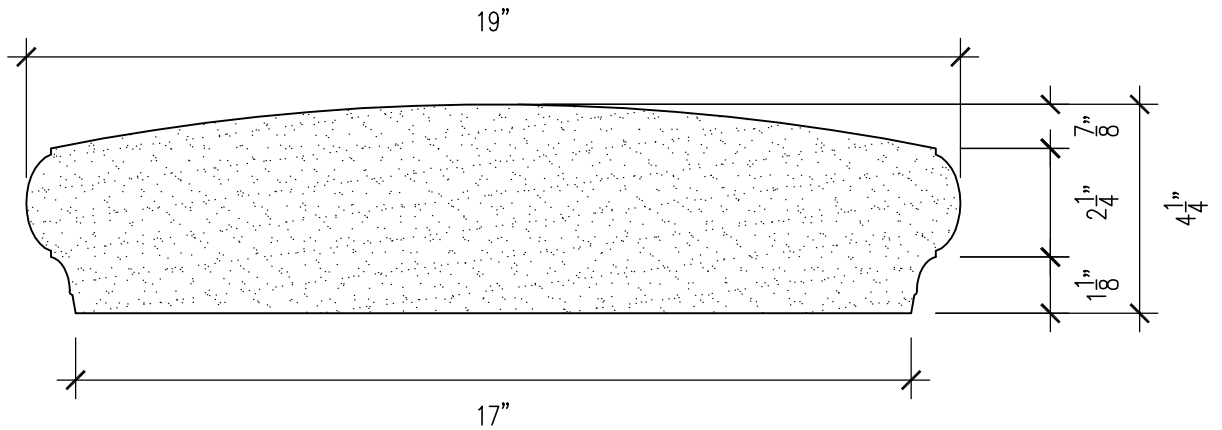
Project Name: POST CAP (PC-4)	
Customer Name:	
Date Drawn: 6-28-2000	Drawn By: SZ
Job Number:	Sheet Number: 23-1-04



A **PC-5
PLAN VIEW**
SCALE: 1 1/2" = 1'-0"



B **ELEVATION**
SCALE: 1 1/2" = 1'-0"



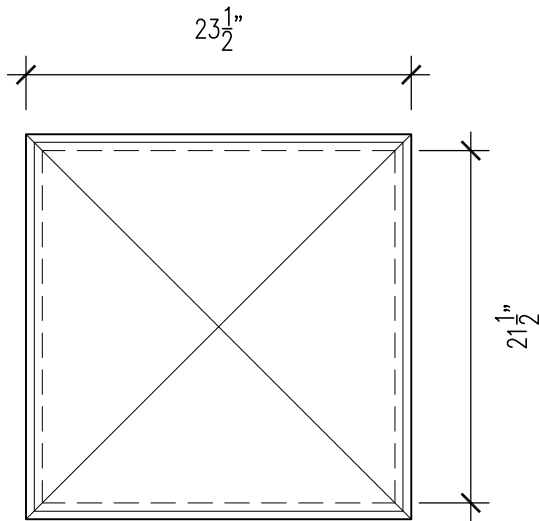
C **SECTION**
SCALE: 3" = 1'-0"



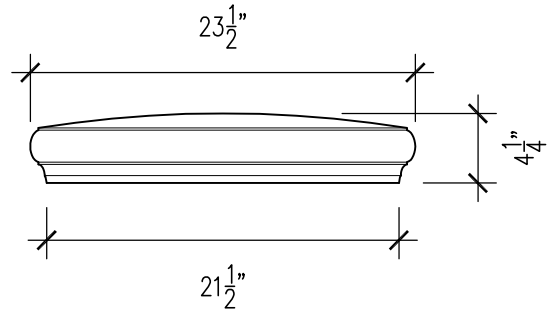
**MOONLIGHT
MOLDS, inc.**

13720 S. Western Ave., Unit A · Gardena, CA 90249
Phone: (310)538-9142 · Fax: (310)538-9717

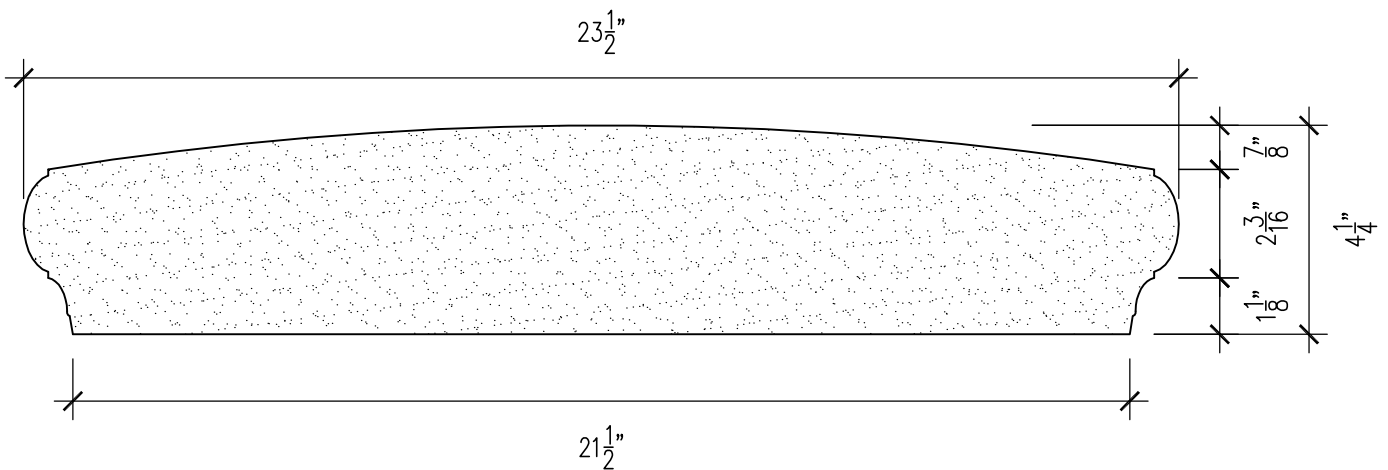
Project Name:	POST CAP (PC-5)		
Customer Name:			
Date Drawn:	6-30-2000	Drawn By:	SZ
Job Number:		Sheet Number:	23-1-05



A **PC-5-21 1/2**
PLAN VIEW
SCALE: 1" = 1'-0"



B **ELEVATION**
SCALE: 1" = 1'-0"



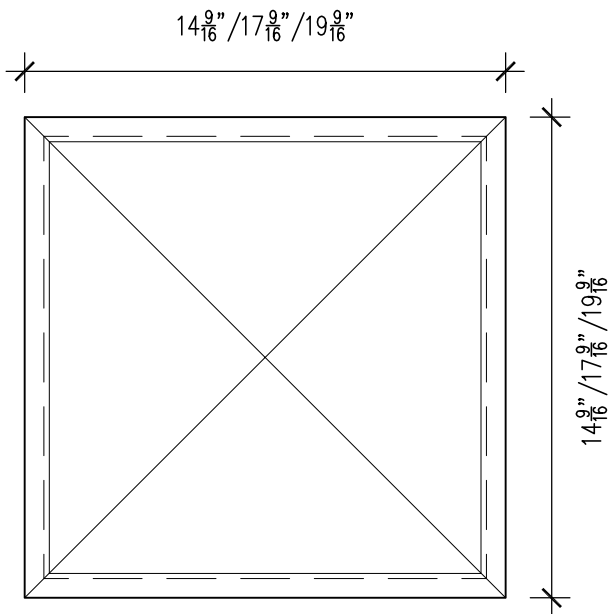
C **SECTION**
SCALE: 3" = 1'-0"



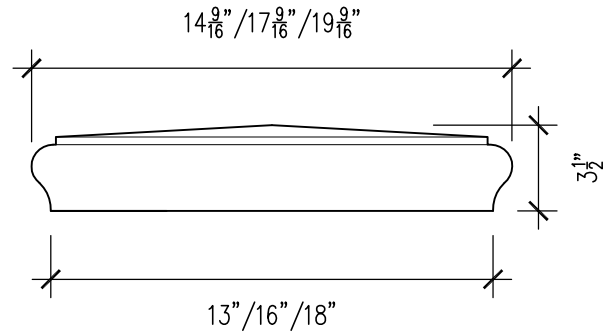
**MOONLIGHT
MOLDS, inc.**

13720 S. Western Ave., Unit A · Gardena, CA 90249
Phone: (310)538-9142 · Fax: (310)538-9717

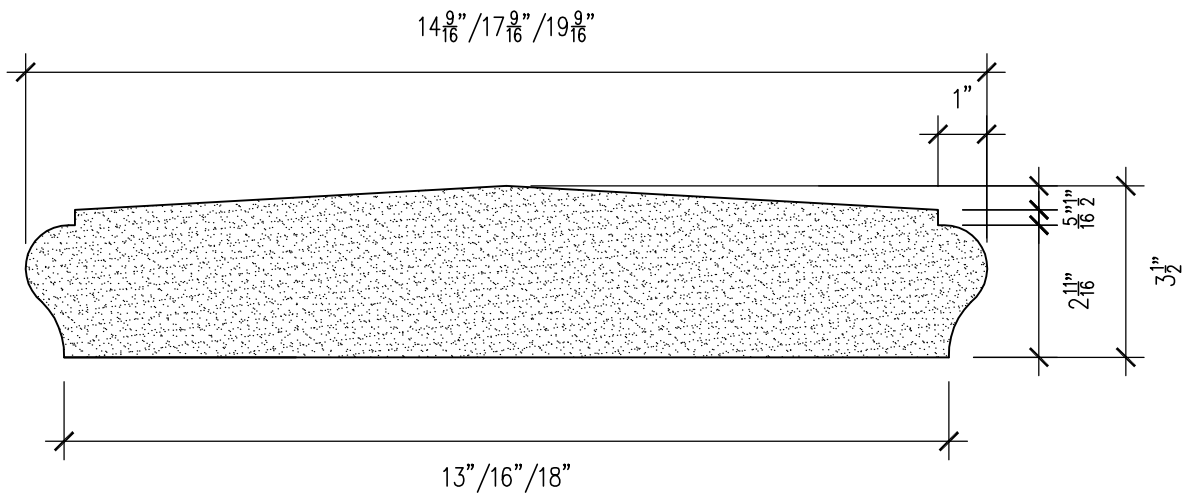
Project Name: POST CAP (PC-5-21 1/2)	
Customer Name:	
Date Drawn: 7-24-2002	Drawn By: JLG
Job Number:	Sheet Number: 23-1-05A



A **PC-6
PLAN VIEW**
SCALE: 1 1/2" = 1'-0"



B **ELEVATION**
SCALE: 1 1/2" = 1'-0"



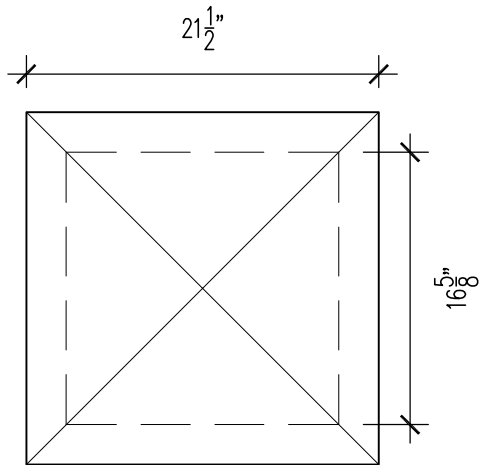
C **SECTION**
SCALE: 3" = 1'-0"



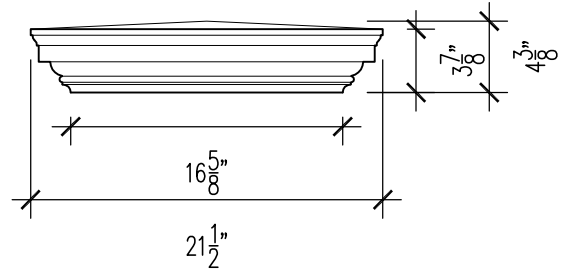
**MOONLIGHT
MOLDS, inc.**

13720 S. Western Ave., Unit A · Gardena, CA 90249
Phone: (310) 538-9142 · Fax: (310) 538-9717

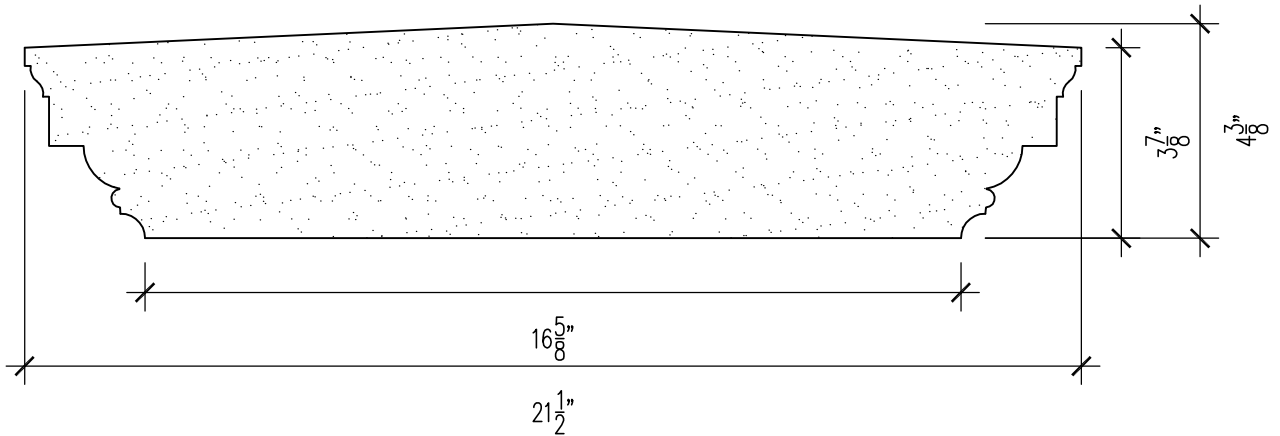
Project Name:	POST CAP (PC-6)	
Customer Name:		
Date Drawn:	6-28-2000	Drawn By: SZ
Job Number:		Sheet Number: 23-1-06



A **PC-11
PLAN VIEW**
SCALE: 1" = 1'-0"



B **ELEVATION**
SCALE: 1" = 1'-0"



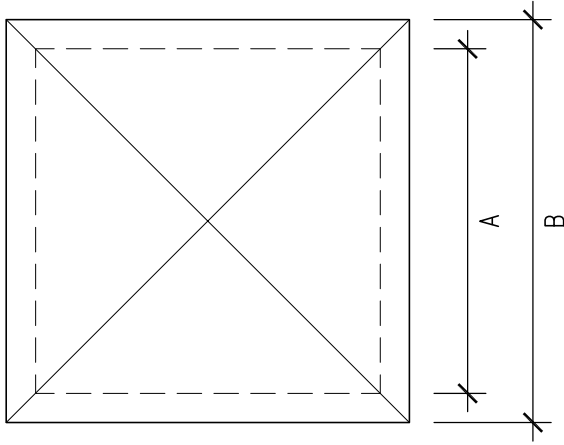
C **SECTION**
SCALE: 3" = 1'-0"



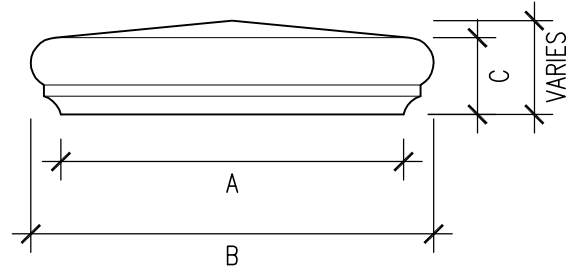
**MOONLIGHT
MOLDS, inc.**

13720 S. Western Ave., Unit A · Gardena, CA 90249
Phone: (310)538-9142 · Fax: (310)538-9717

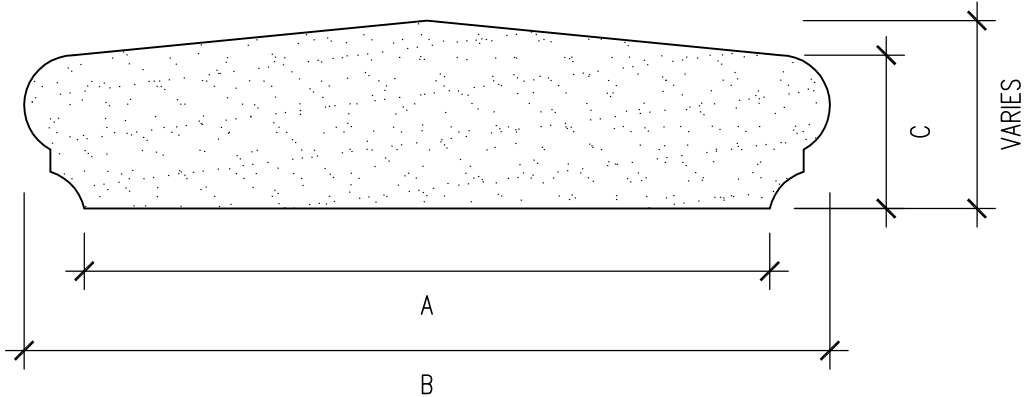
Project Name: POST CAP (PC-11)	
Customer Name:	
Date Drawn: 7-31-2000	Drawn By: SZ
Job Number:	Sheet Number: 23-1-11



A **PC-12
PLAN VIEW**
SCALE: 1 1/2" = 1'-0"



B **PC-12
ELEVATION**
SCALE: 1 1/2" = 1'-0"



C **PC-12
SECTION**
SCALE: 3" = 1'-0"

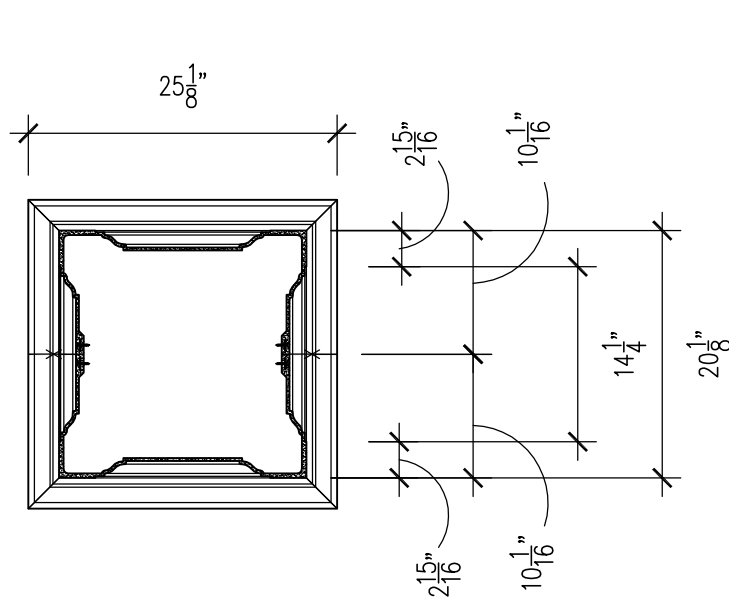
PART#	DIM. A	DIM. B	DIM. C
PC-12-14	14"	16 3/8"	3 1/8"
PC-12-16	16"	18 3/8"	3 1/8"
PC-12-17	17"	19 3/8"	3 1/8"
PC-12-19	19"	21 1/2"	3 1/8"
PC-12-21 1/2	21 1/2"	24"	3 1/8"
PC-12-24 1/2	24 1/2"	27"	3 1/8"



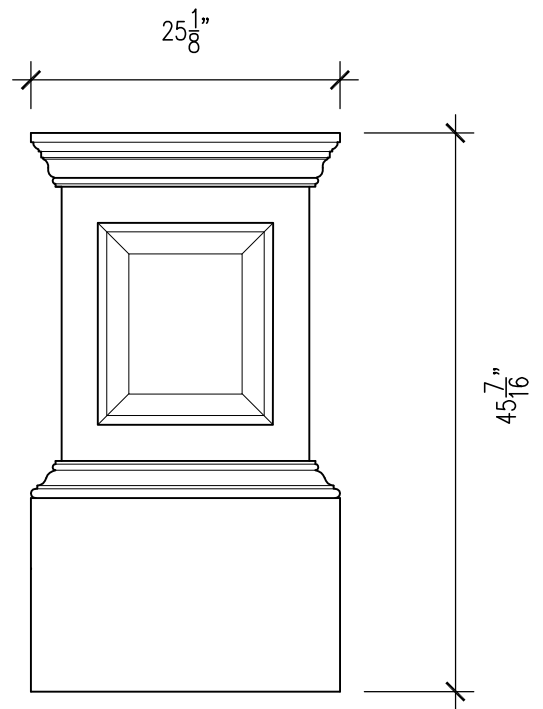
**MOONLIGHT
MOLDS, inc.**

13720 S. Western Ave., Unit A · Gardena, CA 90249
Phone: (310)538-9142 · Fax: (310)538-9717

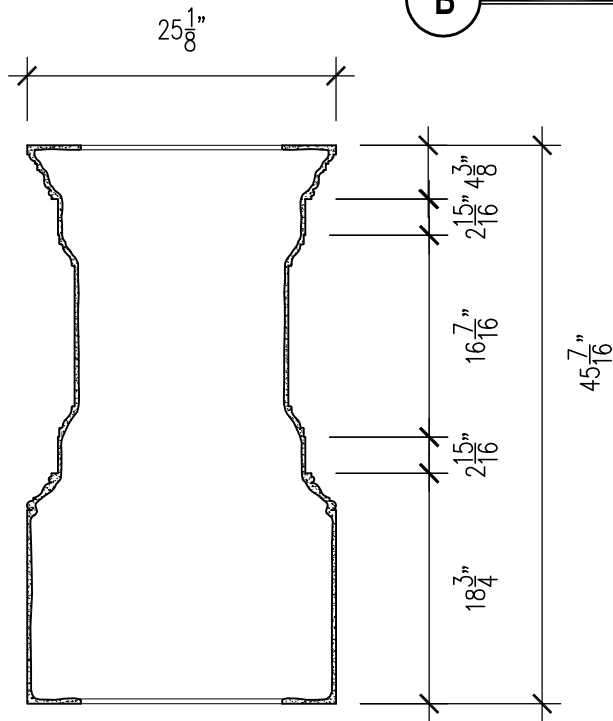
Project Name: POST CAP (PC-12)	
Customer Name:	
Date Drawn: 5-10-2001	Drawn By: JLG
Job Number:	Sheet Number: 23-1-12



A PD-1
PLAN VIEW
SCALE: 3/4" = 1'-0"



B ELEVATION
SCALE: 3/4" = 1'-0"



C SECTION
SCALE: 3/4" = 1'-0"

NOTES

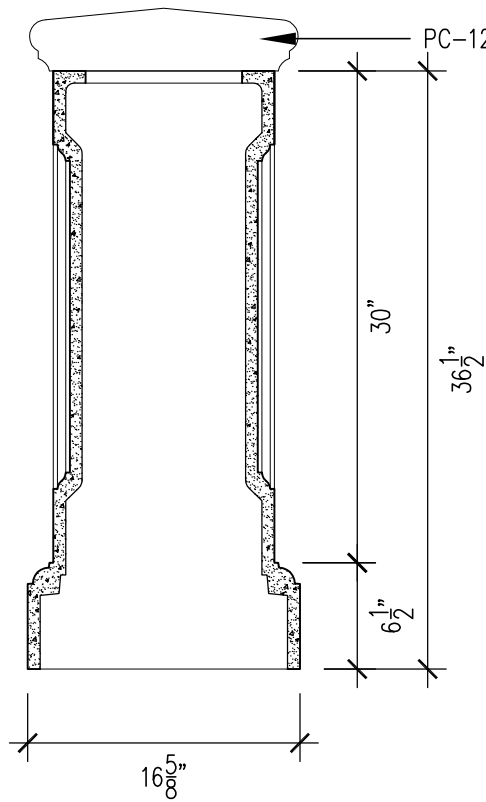
1. PEDESTALS SUPPLIED IN GRG, GFRC OR FRP
2. INSTALLATION MATERIAL, INCLUDING FASTENERS, AND APPROVED ADHESIVE TO BE SUPPLIED BY OTHERS
3. PEDESTALS CAN BE SUPPLIED WHOLE OR IN HALVES



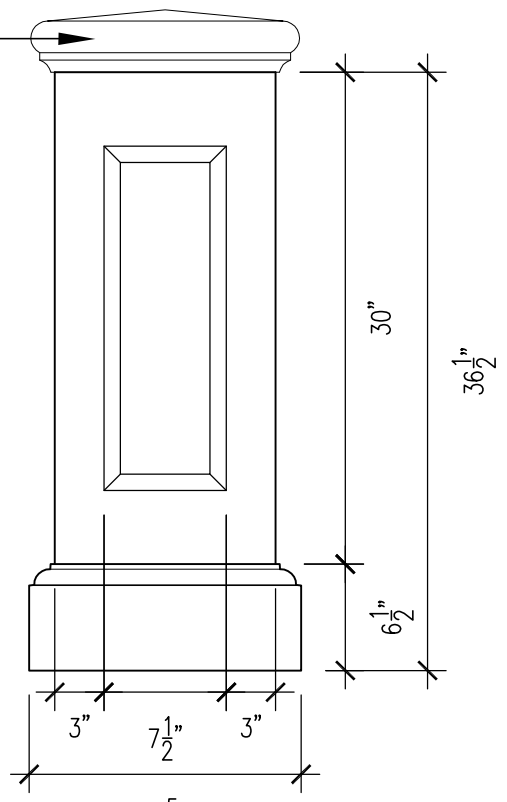
**MOONLIGHT
MOLDS, inc.**

13720 S. Western Ave., Unit A · Gardena, CA 90249
Phone: (310) 538-9142 · Fax: (310) 538-9717

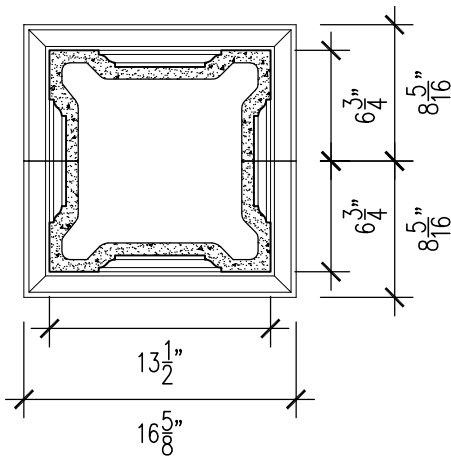
Project Name: PEDESTAL (PD-01)	
Customer Name:	
Date Drawn: 7-18-2000	Drawn By: SZ
Job Number:	Sheet Number: 23-3-01



C PD-2 SECTION
SCALE: 1" = 1'-0"



B PD-2 16 5/8\"/>



A PD-2 PLAN VIEW
SCALE: 1" = 1'-0"

NOTES

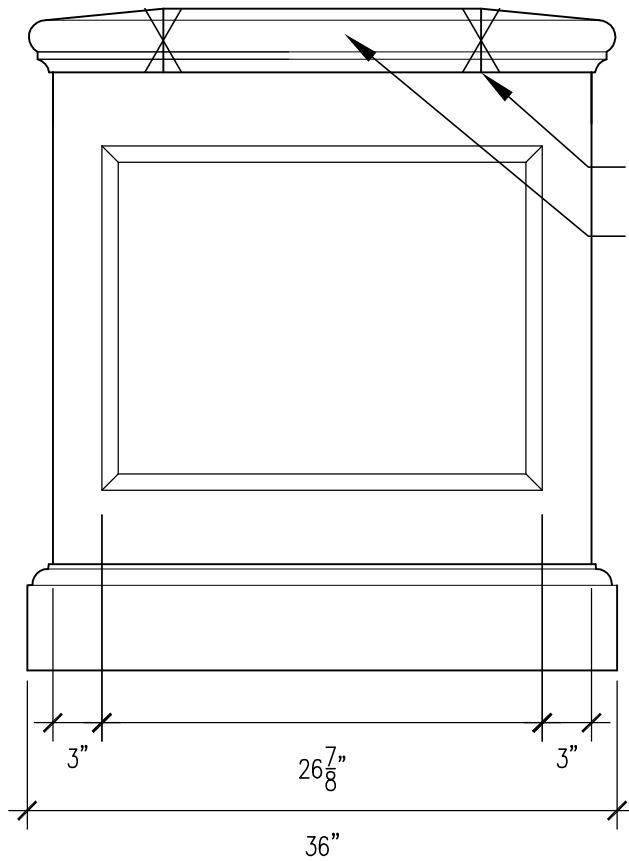
1. PEDESTALS SUPPLIED IN GRG, GFRC OR FRP
2. INSTALLATION MATERIAL, INCLUDING FASTENERS, AND APPROVED ADHESIVE TO BE SUPPLIED BY OTHERS
3. PEDESTALS CAN BE SUPPLIED WHOLE OR IN HALVES



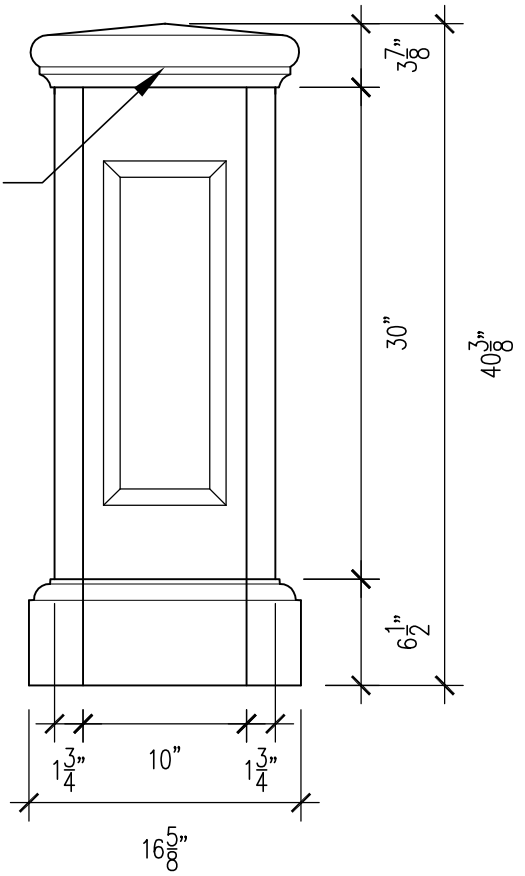
**MOONLIGHT
MOLDS, inc.**

13720 S. Western Ave., Unit A · Gardena, CA 90249
Phone: (310) 538-9142 · Fax: (310) 538-9717

Project Name: PEDESTAL (PD-02)	
Customer Name:	
Date Drawn: 5-10-2001	Drawn By: JLG
Job Number:	Sheet Number: 23-3-02



PC-12 POST CAP
WC-04 WALL CAP



**PD-2 (EXTENDED)
FRONT ELEVATION**

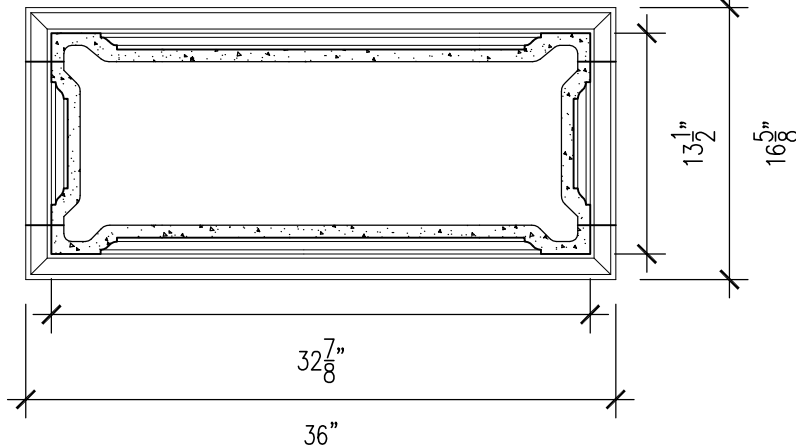
C

SCALE: 1" = 1'-0"

**PD-2 (EXTENDED)
SIDE ELEVATION**

B

SCALE: 1" = 1'-0"



**PD-2 (EXTENDED)
PLAN VIEW**

A

SCALE: 1" = 1'-0"

NOTES

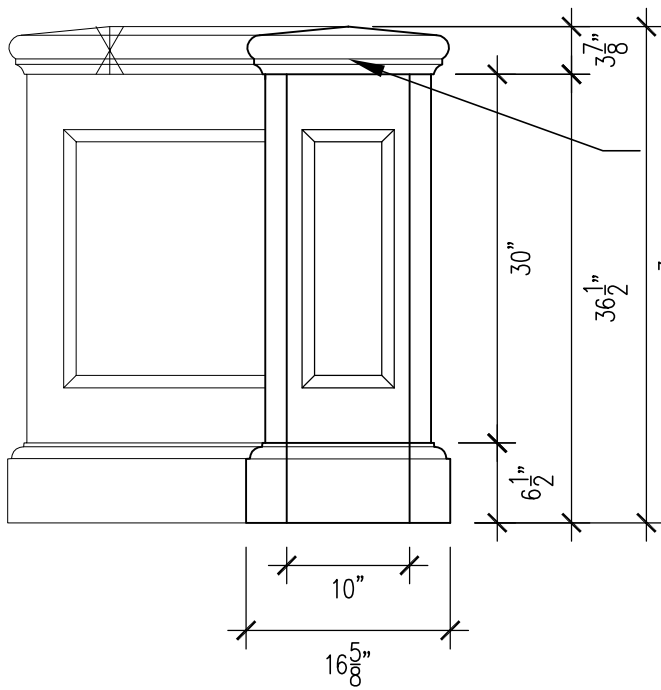
1. PEDESTALS SUPPLIED IN GRG, GFRC OR FRP
2. INSTALLATION MATERIAL, INCLUDING FASTENERS, AND APPROVED ADHESIVE TO BE SUPPLIED BY OTHERS
3. PEDESTALS CAN BE SUPPLIED WHOLE OR IN HALVES



**MOONLIGHT
MOLDS, inc.**

13720 S. Western Ave., Unit A · Gardena, CA 90249
Phone: (310) 538-9142 · Fax: (310) 538-9717

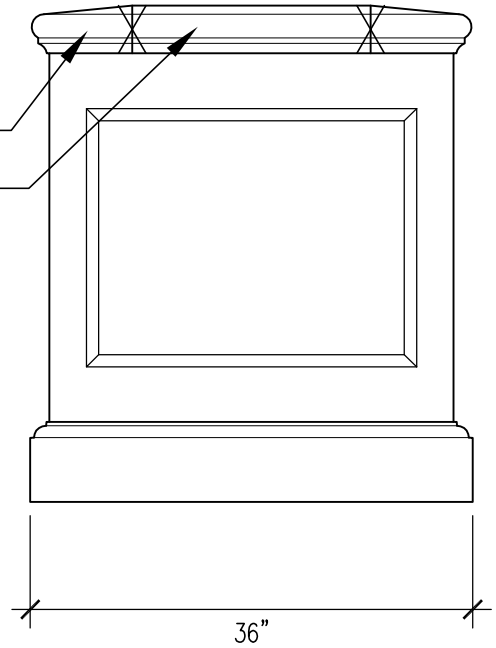
Project Name:	PEDESTAL (PD-02)	
Customer Name:		
Date Drawn:	4-18-2002	Drawn By: JLG
Job Number:		Sheet Number: 23-3-03



**PD-2 (CORNER)
FRONT ELEVATION**

C

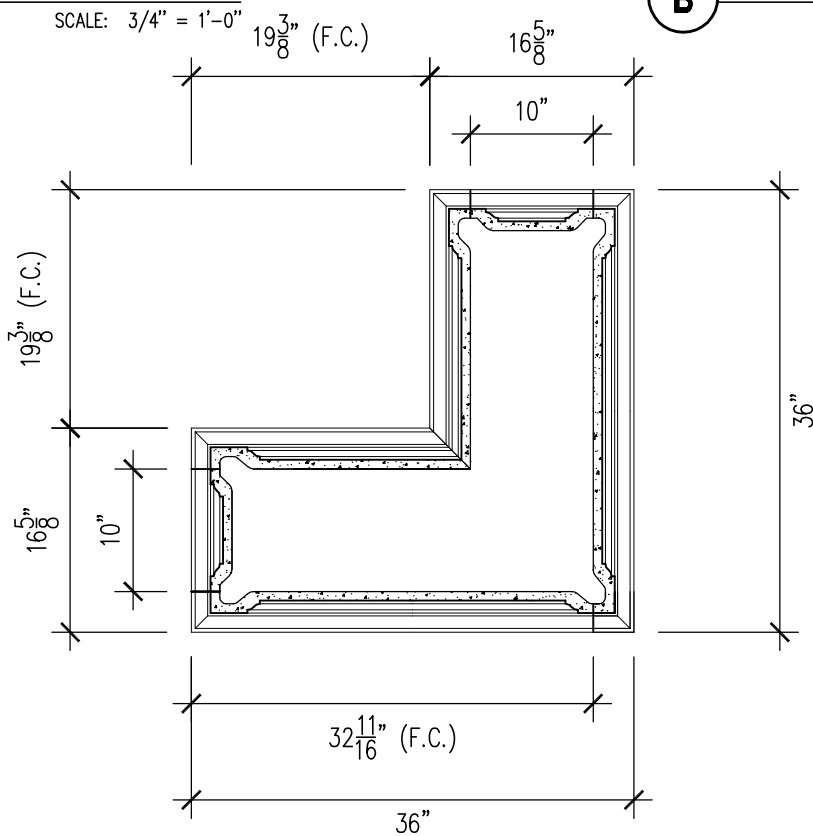
SCALE: 3/4" = 1'-0"



**PD-2 (CORNER)
SIDE ELEVATION**

B

SCALE: 3/4" = 1'-0"



**PD-2 (CORNER)
PLAN VIEW**

A

SCALE: 3/4" = 1'-0"



**MOONLIGHT
MOLDS, inc.**

13720 S. Western Ave., Unit A · Gardena, CA 90249
Phone: (310)538-9142 · Fax: (310)538-9717

Project Name: PEDESTAL (PD-02)	
Customer Name:	
Date Drawn: 4-18-2002	Drawn By: JLG
Job Number:	Sheet Number: 23-3-04