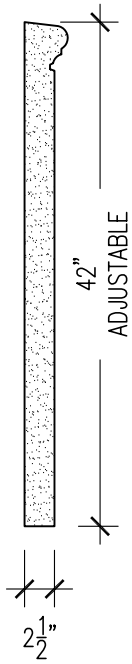
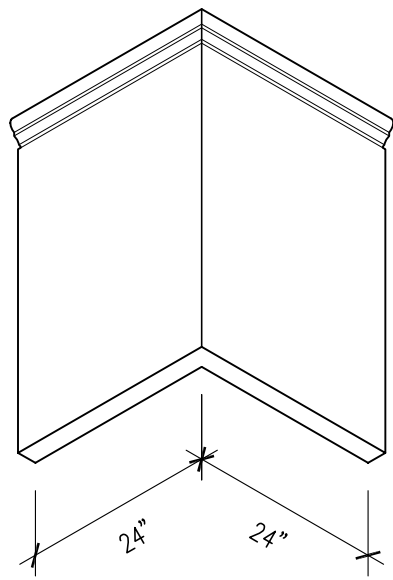


A WT-1
ELEVATION
SCALE: 1/2" = 1'-0"



C WT-1
SECTION
SCALE: 3/4" = 1'-0"



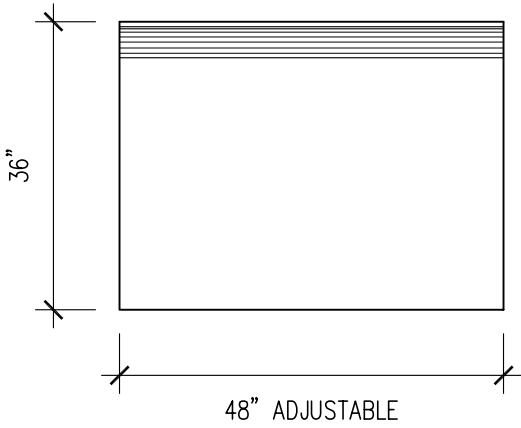
B WT-1
CORNER (O-90)
SCALE: 1/2" = 1'-0"



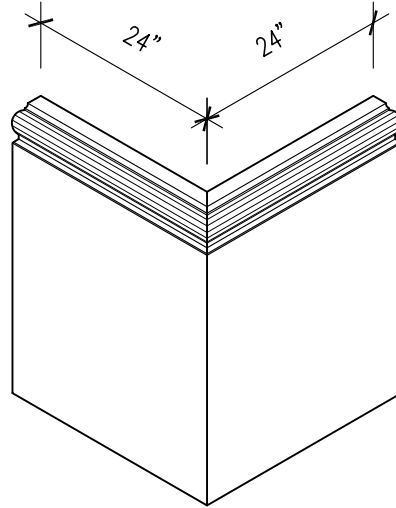
**MOONLIGHT
MOLDS inc.**

14920 S. San Pedro St. · Gardena · CA-90248
Tel: (310) 538-9142 · Fax: (310) 538-9717

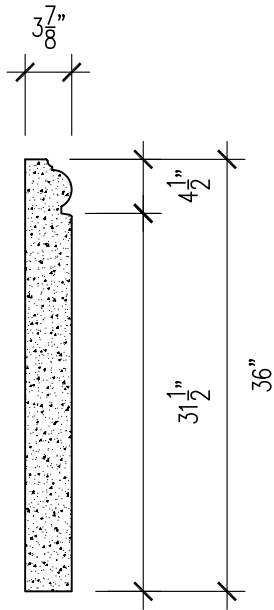
Project Name: WAINSCOT (WT-1)	
Customer Name:	
Date Drawn: 6-13-2002	Drawn By: JLG
Job Number:	Sheet Number: 21-1-01



A WT-2
ELEVATION
SCALE: 1/2" = 1'-0"



B WT-2
CORNER (O-90)
SCALE: 1/2" = 1'-0"



C WT-2
SECTION
SCALE: 3/4" = 1'-0"

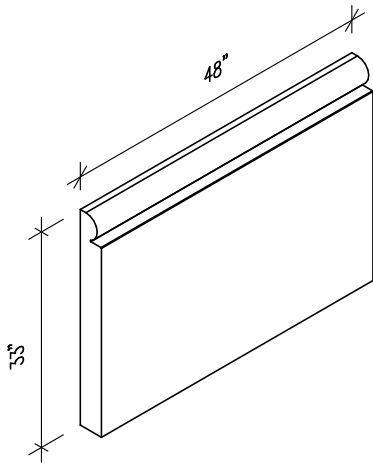
Revised: Oct 10, 2006 - 9:09am



**MOONLIGHT
MOLDS inc.**

14920 S. San Pedro St. · Gardena · CA-90248
Tel: (310) 538-9142 · Fax: (310) 538-9717

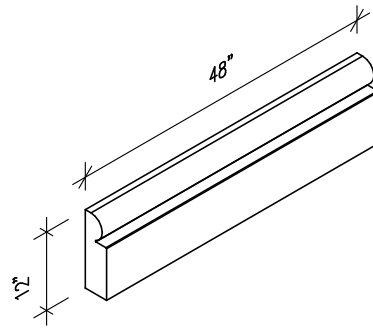
Project Name: WAINSCOT (WT-2)	
Customer Name:	
Date Drawn: 10-11-2004	Drawn By: SKW
Job Number:	Sheet Number: 21-1-02



**WT-3-33
ISOMETRIC VIEW**

A

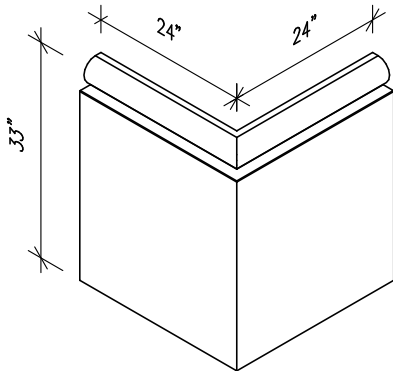
SCALE: 1/2" = 1'-0"



**WT-3-12
ISOMETRIC VIEW**

B

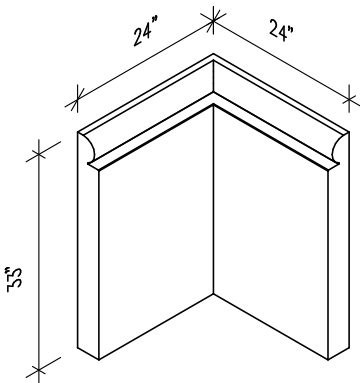
SCALE: 1/2" = 1'-0"



**WT-3-33 (O-90°)
ISOMETRIC VIEW**

C

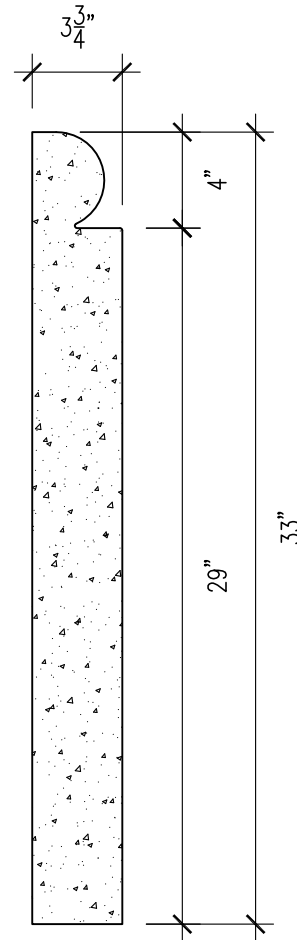
SCALE: 1/2" = 1'-0"



**WT-3-33 (I-90°)
ISOMETRIC VIEW**

D

SCALE: 1/2" = 1'-0"



**WT-3-33
SECTION**

E

(WT-3-12 SIM.) SCALE: 1 1/2" = 1'-0"

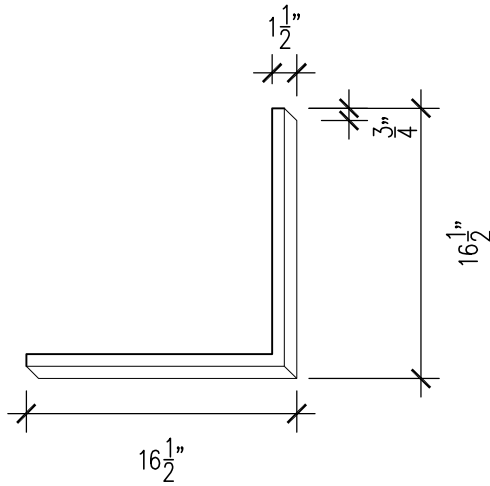
Revised: Oct 24, 2008 - 10:51am



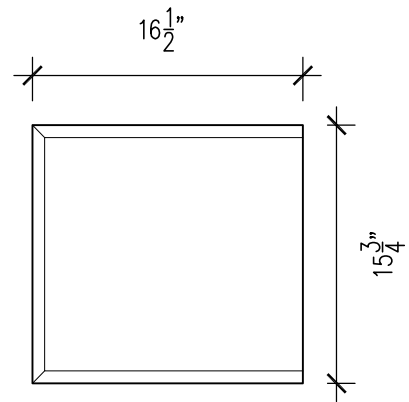
**MOONLIGHT
MOLDS inc.**

14920 S. San Pedro St. · Gardena · CA-90248
Tel: (310) 538-9142 · Fax: (310) 538-9717

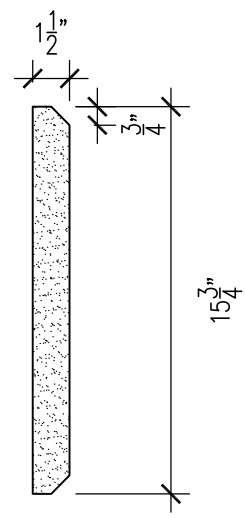
Project Name: WAINSCOT (WT-3)	
Customer Name:	
Date Drawn: 10-20-2008	Drawn By: JLG
Job Number:	Sheet Number: 21-1-03



A QN-1
PLAN VIEW
SCALE: 1" = 1'-0"



B ELEVATION
SCALE: 1" = 1'-0"



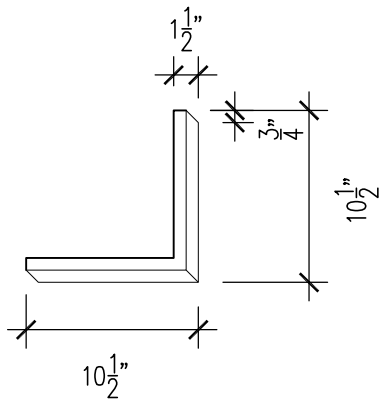
C SECTION
SCALE: 3" = 1'-0"



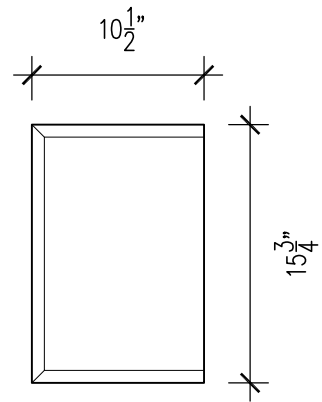
**MOONLIGHT
MOLDS, inc.**

13720 S. Western Ave., Unit A · Gardena, CA 90249
Phone: (310)538-9142 · Fax: (310)538-9717

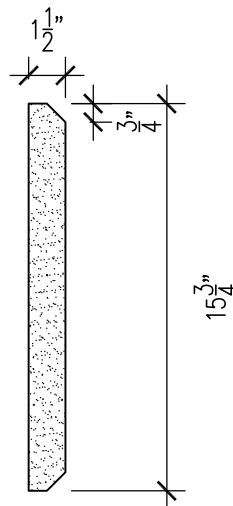
Project Name: QUOINS (QN-01)	
Customer Name:	
Date Drawn: 7-17-2000	Drawn By: SZ
Job Number:	Sheet Number: 21-02-1



A QN-2
PLAN VIEW
SCALE: 1" = 1'-0"



B ELEVATION
SCALE: 1" = 1'-0"



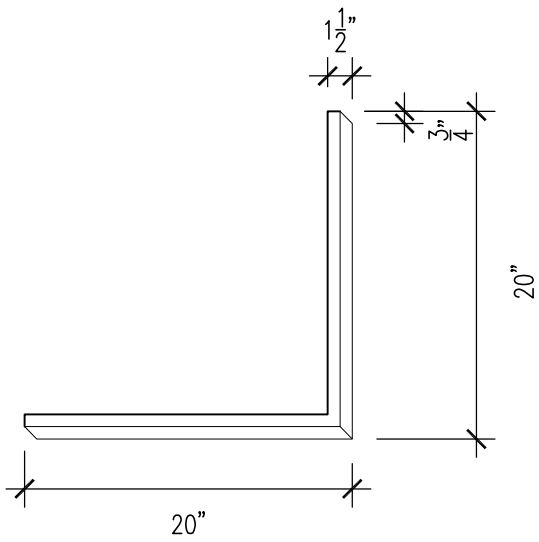
C SECTION
SCALE: 3" = 1'-0"



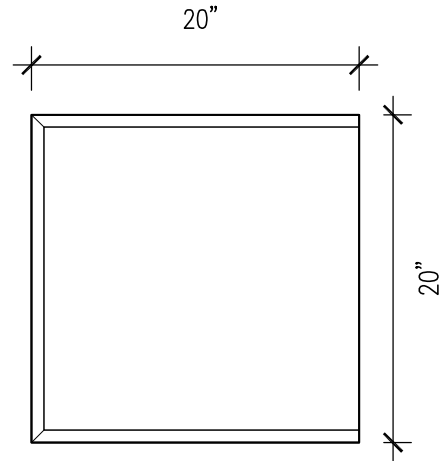
**MOONLIGHT
MOLDS, inc.**

13720 S. Western Ave., Unit A · Gardena, CA 90249
Phone: (310)538-9142 · Fax: (310)538-9717

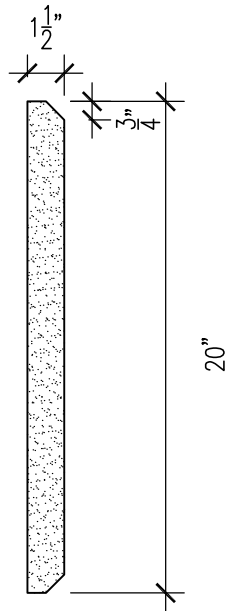
Project Name: QUOINS (QN-02)	
Customer Name:	
Date Drawn: 7-17-2000	Drawn By: SZ
Job Number:	Sheet Number: 21-2-02



A QN-3
PLAN VIEW
SCALE: 1" = 1'-0"



B ELEVATION
SCALE: 1" = 1'-0"



C SECTION
SCALE: 3" = 1'-0"



**MOONLIGHT
MOLDS, inc.**

13720 S. Western Ave., Unit A · Gardena, CA 90249
Phone: (310) 538-9142 · Fax: (310) 538-9717

Project Name: QUOINS (QN-03)	
Customer Name:	
Date Drawn: 7-17-2000	Drawn By: SZ
Job Number:	Sheet Number: 21-2-03