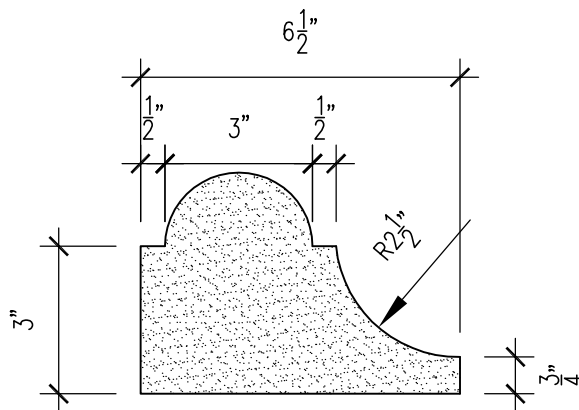
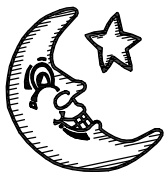


A PLAN VIEW-Q2
SCALE: 3/4" = 1'-0"



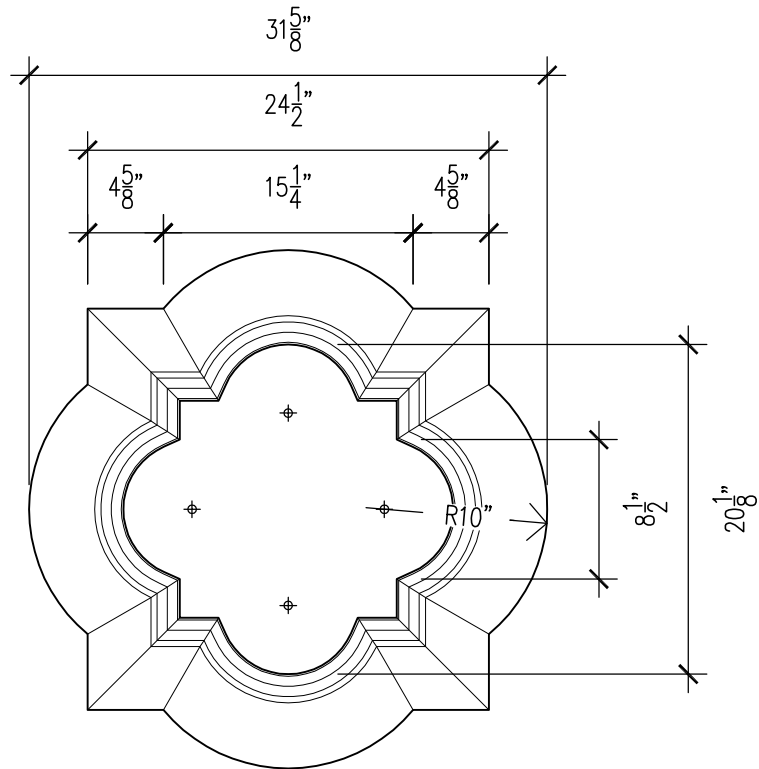
B SECTION
SCALE: 3" = 1'-0"



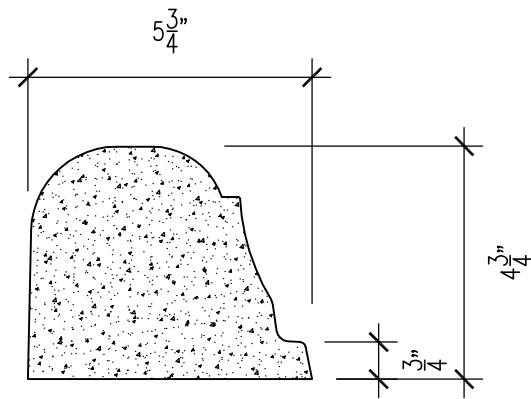
**MOONLIGHT
MOLDS, inc.**

13720 S. Western Ave., Unit A · Gardena, CA 90249
Phone: (310)538-9142 · Fax: (310)538-9717

Project Name: QUATREFOIL (Q-2)	
Customer Name:	
Date Drawn: 1-7-2000	Drawn By: SZ
Job Number:	Sheet Number: 20-02



A **PLAN VIEW - Q3**
SCALE: 1" = 1'-0"



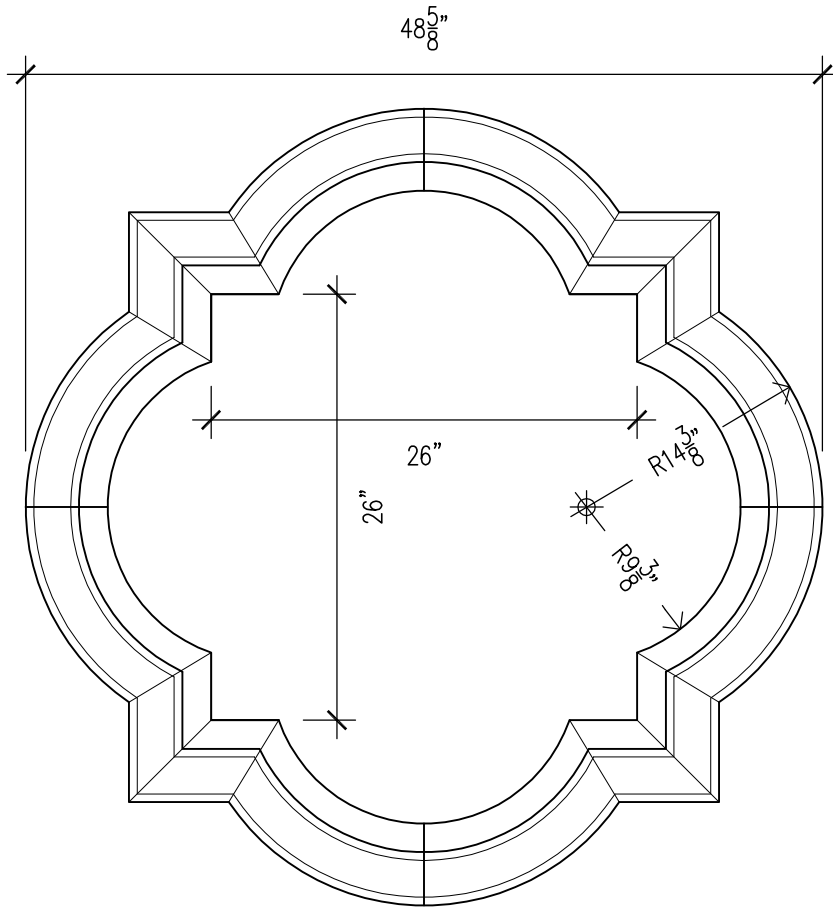
B **SECTION**
SCALE: 3" = 1'-0"



**MOONLIGHT
MOLDS, inc.**

13720 S. Western Ave., Unit A · Gardena, CA 90249
Phone: (310)538-9142 · Fax: (310)538-9717

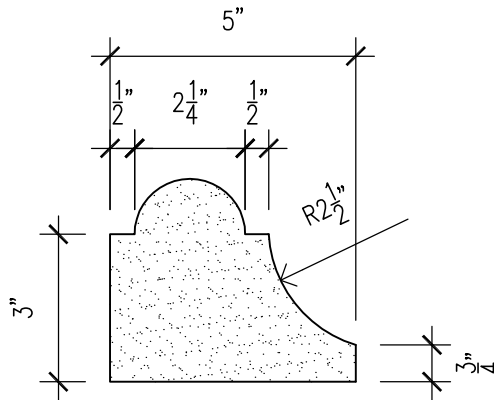
Project Name:	QUATREFOIL (Q-3)		
Customer Name:			
Date Drawn:	3-15-2002	Drawn By:	JLG
Job Number:		Sheet Number:	20-03



A

PLAN VIEW - Q4

SCALE: 1" = 1'-0"



B

SECTION - Q4

SCALE: 3" = 1'-0"



**MOONLIGHT
MOLDS, inc.**

13720 S. Western Ave., Unit A · Gardena, CA 90249
Phone: (310)538-9142 · Fax: (310)538-9717

Project Name: QUATREFOIL (Q-4)	
Customer Name:	
Date Drawn: 6-11-2008	Drawn By: JLG
Job Number:	Sheet Number: 20-04