



## **Glass Fiber Reinforced Gypsum (GRG) Access Panel**

Our lay-in access panels are design to mount flush with the surrounding drywall. The trim ring is tapered to accept standard drywall mud and tape. After installation only a 1/8" joint between the panel and ceiling are visible. Panels are available with round or square corners.

Nominal thickness: 3/16"-1/4"

Edge thickness: 1/2"

Finish: Smooth Paint Grade

Fuel Consumption: 0

Smoke Index: 0

Flame Spread: 0

Non-Combustible

Panels comply with ASTM C1355

Please contact us for cost and availability.



**Square corner  
Access Panel**



**Round corner  
Access Panel**

**13720 S. Western Ave. Unit A  
Gardena, CA. 90249  
Phone: 310-538-9142 Fax: 310-538-9717**



Square Corner Access Panels

Part Number	Access Panel Description	Panel Size		Trim Ring		Rough Opening	
AP-08	Access Panel W/Trim Ring 8" x 8"	8"	8"	14"	14"	11"	11"
AP-10	Access Panel W/Trim Ring 10" x 10"	10"	10"	16 1/4"	16 1/4"	13 1/4"	13 1/4"
AP-12	Access Panel W/Trim Ring 12" x 12"	12"	12"	18 3/4"	18 3/4"	15 3/4"	15 3/4"
AP-16	Access Panel W/Trim Ring 16" x 16"	16"	16"	22"	22"	19"	19"
AP-18	Access Panel W/Trim Ring 18" x 18"	18"	18"	24 1/4"	24 1/4"	21"	21"
AP-56 1/4	Access Panel W/Trim Ring 18" x 56 1/4"	18"	56 1/4"	24"	62 1/4"	21"	59 1/4"
AP-61 3/4	Access Panel W/Trim Ring 18" x 61 3/4"	18"	61 3/4"	24"	66 3/4"	21"	63 3/4"
AP-72	Access Panel W/Trim Ring 18" x 72"	18"	72"	24"	78"	21"	75"
AP-20x30	Access Panel W/Trim Ring 20" x 30"	20"	30"	26"	36"	23"	33"
AP-21	Access Panel W/Trim Ring 21" x 58"	21"	58"	27"	64"	24"	61"
AP-20	Access Panel W/Trim Ring 20" x 20"	20"	20"	26"	26"	23"	23"
AP-24	Access Panel W/Trim Ring 24" x 24"	24"	24"	30 1/2"	30 1/2"	27"	27"
AP-31 3/8	Access Panel W/Trim Ring 24 1/2" x 31 3/8"	24 1/2"	31 3/8"	30 3/4"	37 3/8"	27 3/4"	34 3/8"
AP 27 3/4	Access Panel W/Trim Ring 27 3/4" x 27 3/4"	27 3/4"	27 3/4"	34 1/4"	34 1/4"	31 1/4"	31 1/4"
AP-28x42	Access Panel W/Trim Ring 28" x 42"	28"	42"	34"	48"	31"	45"
AP-30	Access Panel W/Trim Ring 30" x 30"	30"	30"	36"	36"	33"	33"
AP-96	Access Panel W/Trim Ring 30" x 96"	30"	96"	36"	102"	33"	99"
AP-42	Access Panel W/Trim Ring 31" x 42"	31"	42"	37 1/4"	48 1/4"	34 1/4"	45 1/4"
AP-36	Access Panel W/Trim Ring 36" x 36"	36"	36"	42 1/2"	42 1/2"	39 1/2"	39 1/2"
* AP-36x60	Access Panel W/Trim Ring 36" x 60"	36"	60"	42"	66"	39"	63"
* AP-38	Access Panel W/Trim Ring 38" x 64" (3pc)	38"	64"	44"	70"	41"	67"
AP-48	Access Panel W/Trim Ring 48" x 48"	48"	48"	54"	54"	51"	51"

Round Corner Access Panels

Part Number	Access Panel Description	Panel Size		Trim Ring		Rough Opening	
RCAP-08	Round Corner Access Panel W/Trim Ring 8" x 8"	8"	8"	14"	14"	11"	11"
RCAP-8x12	Round Corner Access Panel W/Trim Ring 8" x 12"	8"	12"	12"	18"	11"	15"
RCAP-10	Round Corner Access Panel W/Trim Ring 10" x 10"	10"	10"	16"	16"	13"	13"
RCAP-12	Round Corner Access Panel W/Trim Ring 12" x 12"	12"	12"	18 3/4"	18 3/4"	15 3/4"	15 3/4"
RCAP-12x36	Round Corner Access Panel W/Trim Ring 12" x 36"	12"	36"	18"	42"	15"	39"
RCAP-14x18	Round Corner Access Panel W/Trim Ring 14" x 18"	14"	18"	20"	24"	17"	21"
RCAP-18	Round Corner Access Panel W/Trim Ring 18" x 18"	18"	18"	24"	24"	21"	21"
RCAP-16	Round Corner Access Panel W/Trim Ring 16" x 16"	16"	16"	22"	22"	19"	19"
RCAP-24	Round Corner Access Panel W/Trim Ring 24" x 24"	24"	24"	30"	30"	27"	27"
* RCAP-24x48	Round Corner Access Panel W/Trim Ring 24" x 48"	24"	48"	30"	54"	27"	51"
* RCAP-24x72	Round Corner Access Panel W/Trim Ring 24" x 72"	24"	72"	30"	78"	27"	75"
RCAP-36	Round Corner Access Panel W/Trim Ring 36" x 36"	36"	36"	42"	42"	39"	39"
RCAP-48	Round Corner Access Panel W/Trim Ring 48" x 48"	48"	48"	54"	54"	51"	51"

Round Access Panels

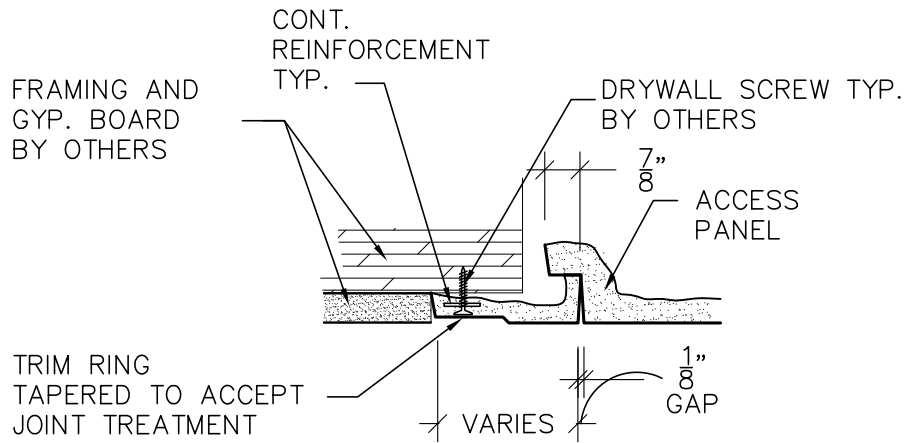
Part Number	Access Panel Description	Panel Size		Trim Ring		Rough Opening	
RAP-24 Dia.	Round Access Panel W/Trim Ring 24" diameter	24" dia.		30" dia.		27" dia.	
** RAP-18 Dia.	Round Access Panel W/Trim Ring 18" diameter	18" dia.		24"	24"	21"	21"

\* Indicates divided panel

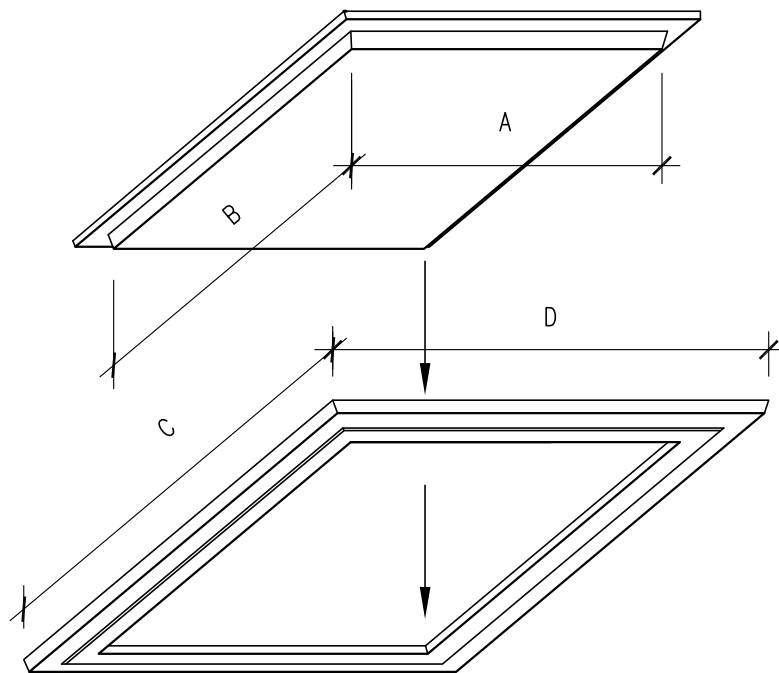
\*\* Indicates round panel opening w/square trim ring

Revised: 10-04-18

13720 S. Western Ave. Unit A  
 Gardena, CA. 90249  
 Phone: 310-538-9142 Fax: 310-538-9717



**(B) SECTION**  
SCALE: 3" = 1'-0"



**(A) STANDARD ACCESS PANEL**  
SCALE: 1" = 1'-0"

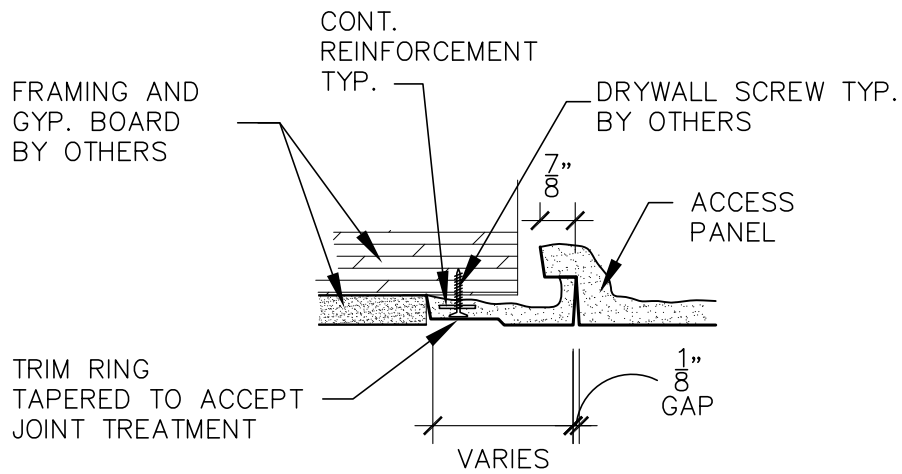
Revised: Oct 12, 2016 - 2:16pm



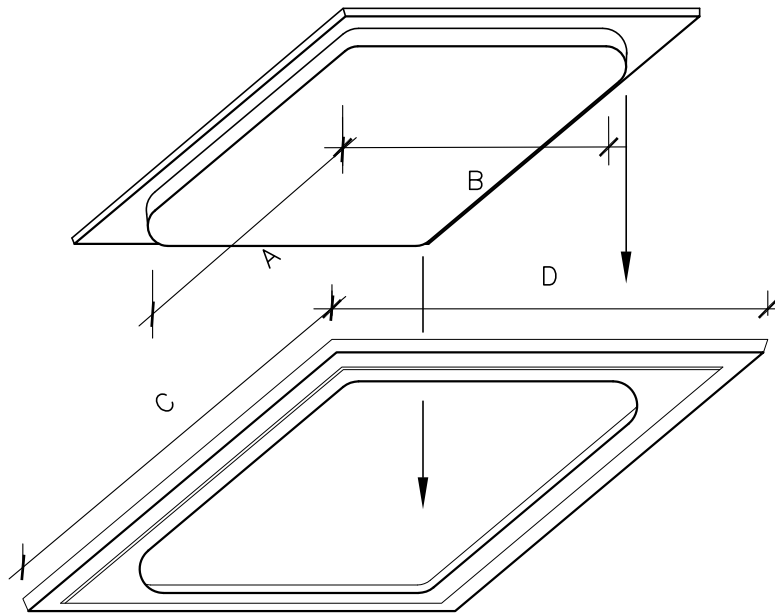
**MOONLIGHT  
MOLDS, inc.**

13720 S. Western Ave., Unit A · Gardena, CA 90249  
Phone: (310) 538-9142 · Fax: (310) 538-9717

Project Name: STANDARD ACCESS PANEL	
Customer Name:	
Date Drawn: 12-8-99	Drawn By: SZ
Job Number:	Sheet Number: 19-01



**B** SECTION  
SCALE: 3" = 1'-0"



**A** ROUNDED CORNER ACCESS PANEL  
SCALE: 1" = 1'-0"

Revised: Oct 12, 2016 - 2:16pm



**MOONLIGHT  
MOLDS, inc.**

13720 S. Western Ave., Unit A · Gardena, CA 90249  
Phone: (310) 538-9142 · Fax: (310) 538-9717

Project Name: ROUNDED CORNER ACCESS PANEL (RC)

Customer Name:

Date Drawn: 12-8-99

Drawn By: SZ

Job Number:

Sheet Number: 19-02