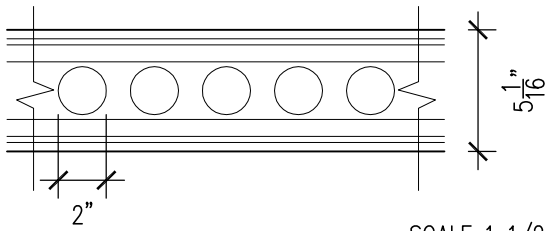
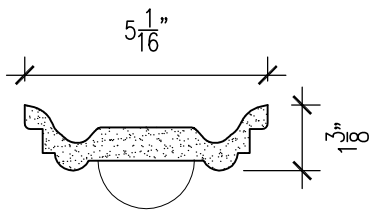


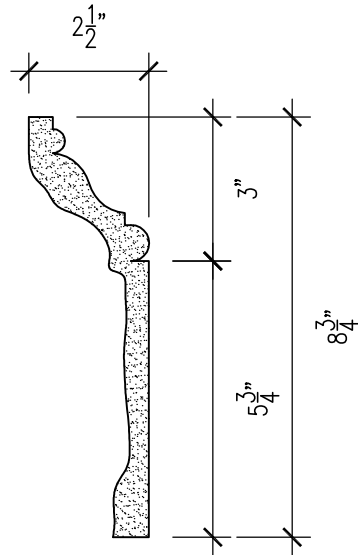
**MM-5**  
SCALE 3"=1'-0"



SCALE 1 1/2"=1'-0"



**MM-9**  
SCALE 3"=1'-0"



**MM-10-83/4**  
SCALE 3"=1'-0"

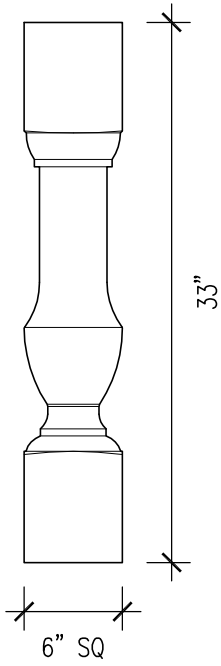
NOTE: INSTALLATION HARDWARE, STUDS, FASTENERS, TAPE AND JOINT COMPOUND TO BE SUPPLIED BY OTHERS



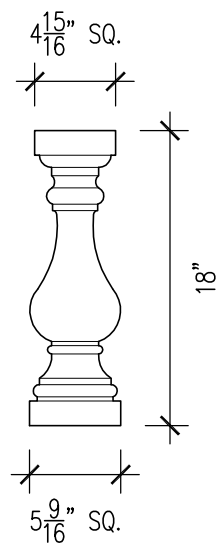
**MOONLIGHT  
MOLDS, inc.**

13720 S. Western Ave., Unit A · Gardena, CA 90249  
Phone: (310) 538-9142 · Fax: (310) 538-9717

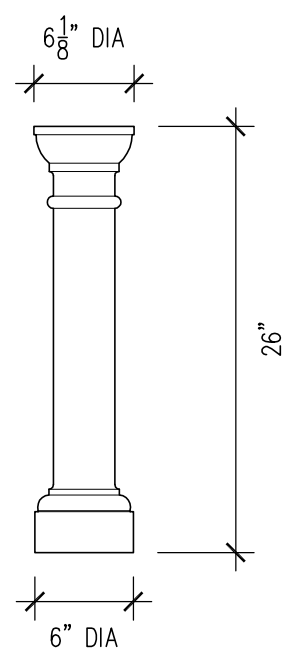
Project Name: STANDARD BASE AND CHAIR RAIL	
Customer Name:	
Date Drawn: 12-8-99	Drawn By: SZ
Job Number:	Sheet Number: 16-01



**B** **B-12**  
SCALE: 1" = 1'-0"



**A** **B-17**  
SCALE: 1" = 1'-0"



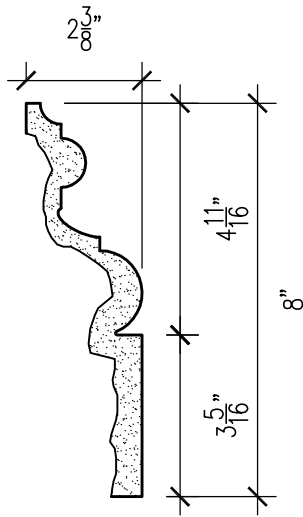
**C** **B-19**  
SCALE: 1" = 1'-0"



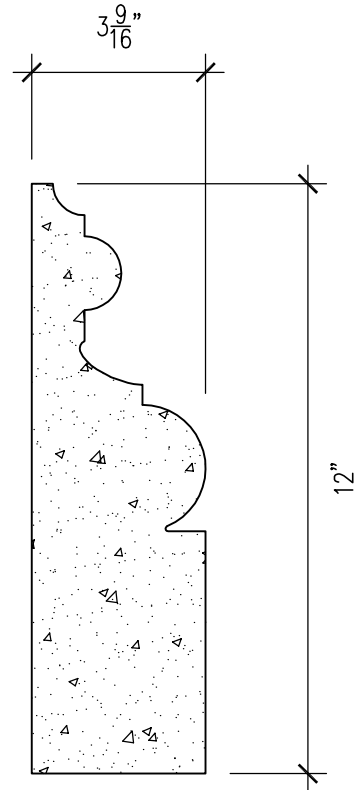
**MOONLIGHT  
MOLDS, inc.**

13720 S. Western Ave., Unit A · Gardena, CA 90249  
Phone: (310) 538-9142 · Fax: (310) 538-9717

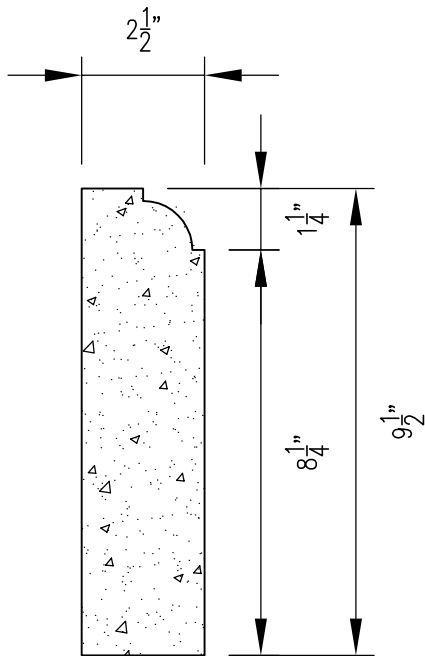
Project Name: BALUSTERS (B-11 thru B-16)	
Customer Name:	
Date Drawn: 5-23-2001	Drawn By: JG
Job Number:	Sheet Number: 22-1-02



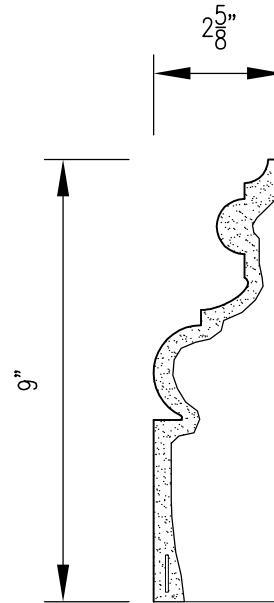
**MM-15**  
SCALE 3"=1'-0"



**MM-23**  
SCALE 3"=1'-0"



**MM-24**  
SCALE 3"=1'-0"



**MM-25**  
SCALE 3"=1'-0"

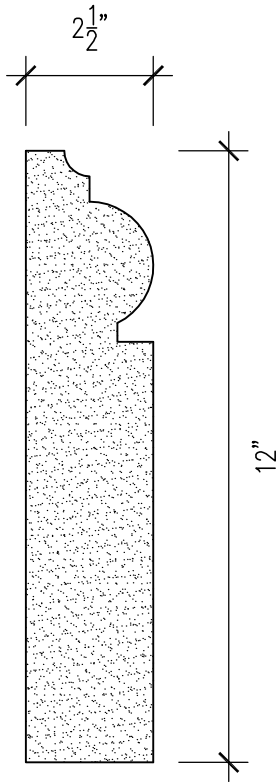
NOTE: INSTALLATION HARDWARE, STUDS, FASTENERS, TAPE AND JOINT COMPOUND TO BE SUPPLIED BY OTHERS



**MOONLIGHT  
MOLDS, inc.**

13720 S. Western Ave., Unit A · Gardena, CA 90249  
Phone: (310)538-9142 · Fax: (310)538-9717

Project Name: STANDARD BASE AND CHAIR RAIL	
Customer Name:	
Date Drawn: 12-8-99	Drawn By: SZ
Job Number:	Sheet Number: 16-04



**MM-26**  
SCALE 3"=1'-0"

NOTE: INSTALLATION HARDWARE, STUDS, FASTENERS, TAPE AND JOINT COMPOUND TO BE SUPPLIED BY OTHERS



**MOONLIGHT  
MOLDS, inc.**

13720 S. Western Ave., Unit A · Gardena, CA 90249  
Phone: (310)538-9142 · Fax: (310)538-9717

Project Name: STANDARD BASE AND CHAIR RAIL	
Customer Name:	
Date Drawn: 5-23-2001	Drawn By: JLG
Job Number:	Sheet Number: 16-08