

**NOTES:**

1. GLASS REINFORCED GYPSUM(G. R. G.) IS FOR INDOOR USE ONLY. FINISH IS SMOOTH, WHITE AND READY FOR PRIMER AND PAINT.
2. FASTENING METHODS, BRACING AND SUPPORTS SHOWN ARE OFFERED AS GUIDES ONLY. LOCAL CODE REQUIREMENTS AND JOB CONDITIONS MUST BE VERIFIED.
3. INSTALLATION HARDWARE, INCLUDING BRACES, STUDS, FASTENERS, TAPE AND JOINT COMPOUND TO BE SUPPLIED BY OTHERS.
4. LIGHT TROUGH SUPPLIED IN 8'-0" LENGTHS AND 2'-0" X 2'-0" PREFABRICATED 90° CORNERS.

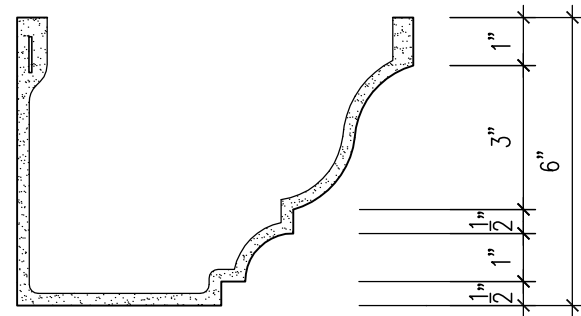
**A LIGHT TROUGH**  
 SCALE: 3" = 1'-0"



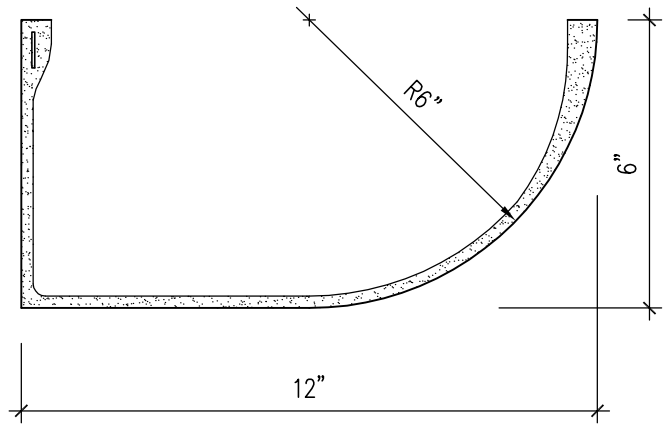
**MOONLIGHT  
 MOLDS, inc.**

13720 S. Western Ave., Unit A · Gardena, CA 90249  
 Phone: (310)538-9142 · Fax: (310)538-9717

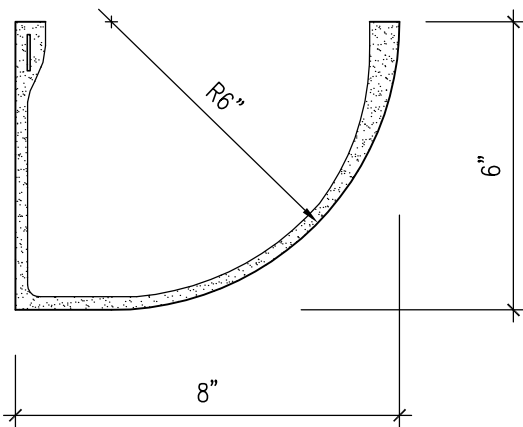
Project Name: STANDARD LIGHT TROUGH	
Customer Name:	
Date Drawn: 6-29-99	Drawn By: CHEON
Job Number:	Sheet Number: 11-01



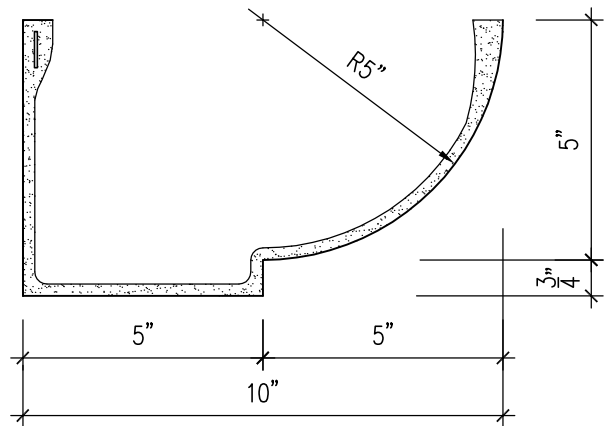
**LT-2**  
SCALE 3"=1'-0"



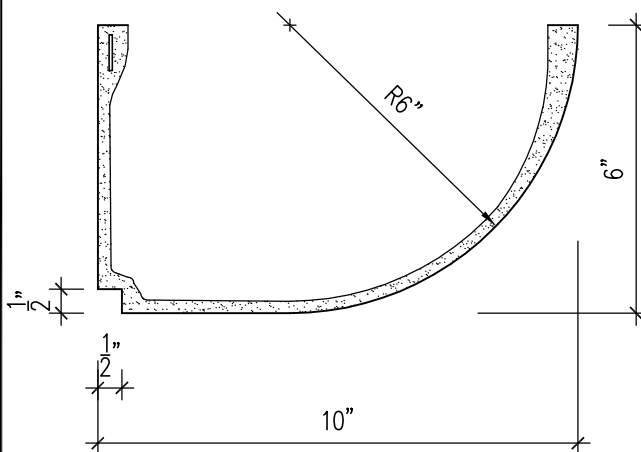
**LT-3**  
SCALE 3"=1'-0"



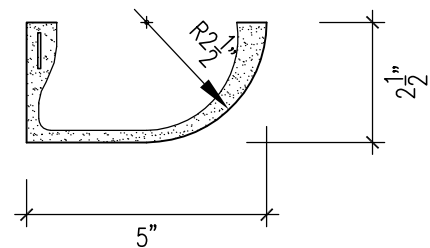
**LT-4**  
SCALE 3"=1'-0"



**LT-5**  
SCALE 3"=1'-0"



**LT-6**  
SCALE 3"=1'-0"



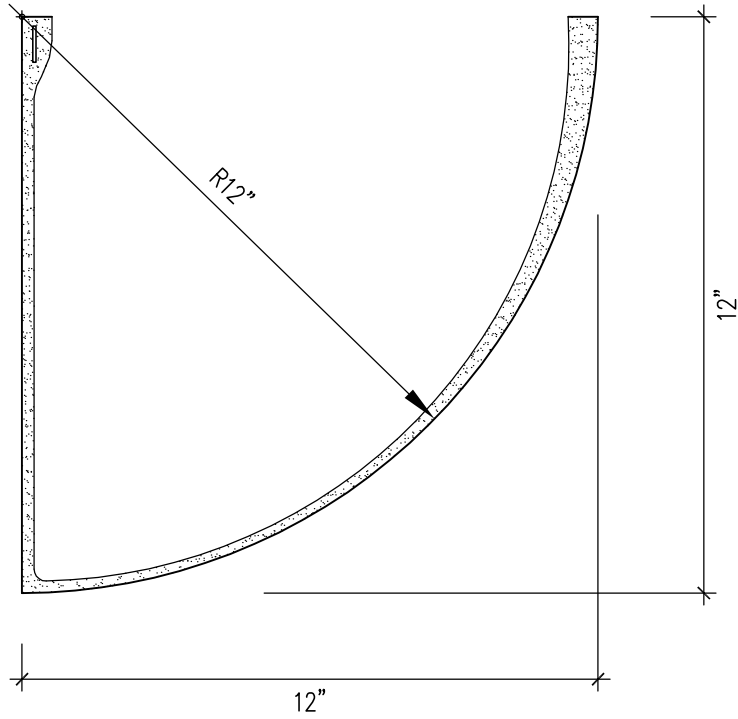
**LT-7**  
SCALE 3"=1'-0"



**MOONLIGHT  
MOLDS, inc.**

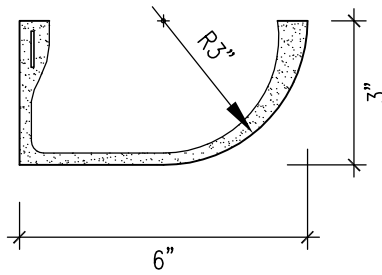
13720 S. Western Ave., Unit A · Gardena, CA 90249  
Phone: (310) 538-9142 · Fax: (310) 538-9717

Project Name: STANDARD LIGHT TROUGH	
Customer Name:	
Date Drawn: 6-29-99	Drawn By: CHEON
Job Number:	Sheet Number: 11-02



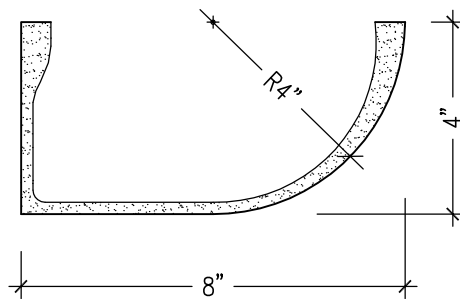
**LT-8**

SCALE 3"=1'-0"



**LT-9**

SCALE 3"=1'-0"



**LT-10**

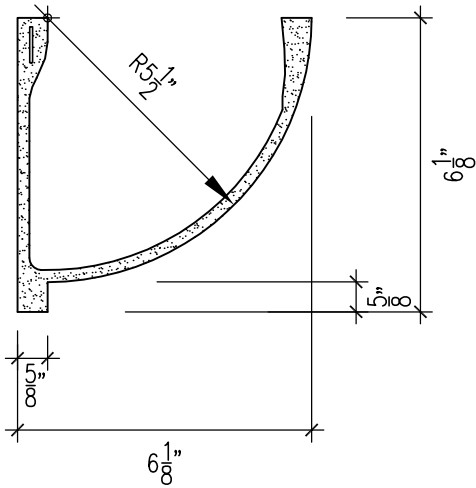
SCALE 3"=1'-0"



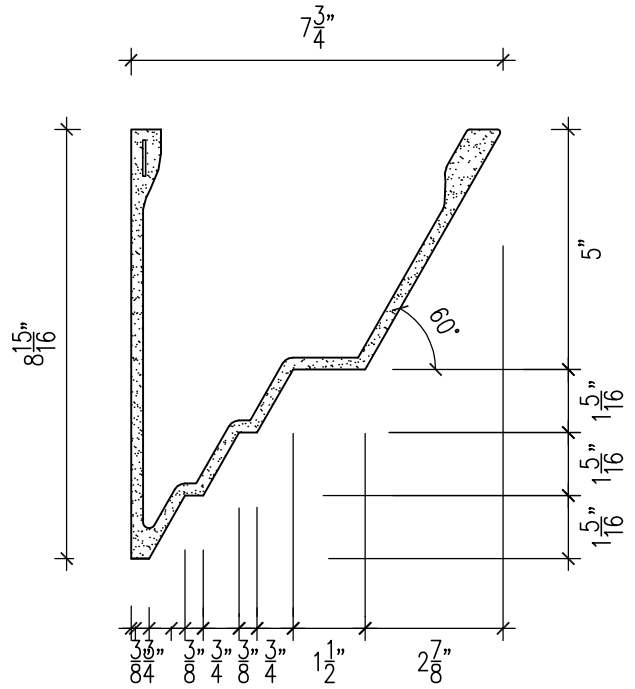
**MOONLIGHT  
MOLDS, inc.**

13720 S. Western Ave., Unit A · Gardena, CA 90249  
Phone: (310) 538-9142 · Fax: (310) 538-9717

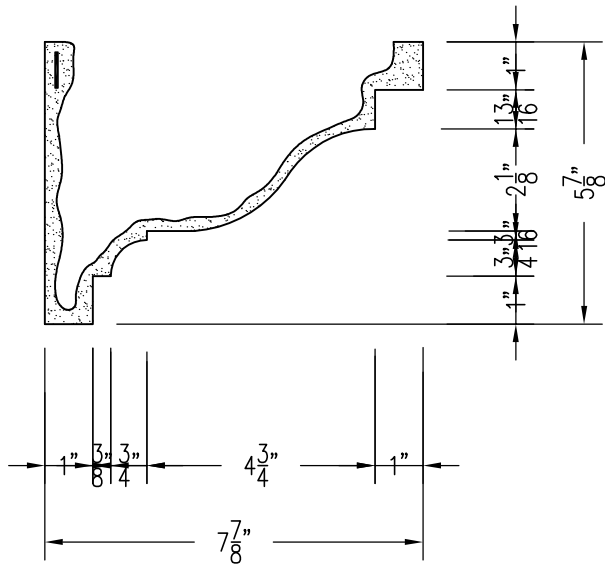
Project Name: STANDARD LIGHT TROUGH	
Customer Name:	
Date Drawn: 6-29-99	Drawn By: CHEON
Job Number:	Sheet Number: 11-03



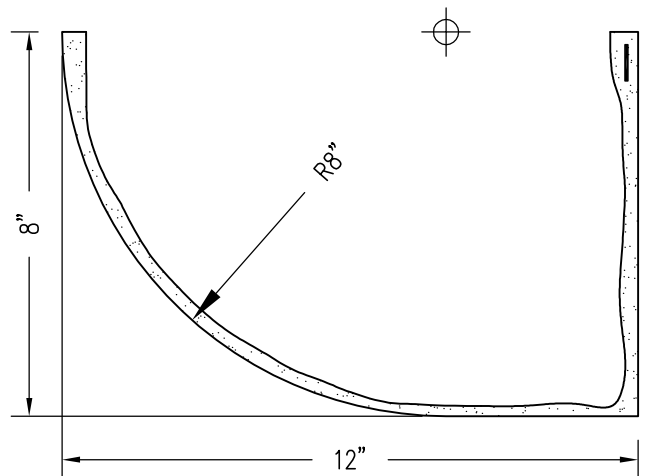
**LT-12**  
SCALE 3"=1'-0"



**LT-13**  
SCALE 3"=1'-0"



**LT-22**  
SCALE 3"=1'-0"



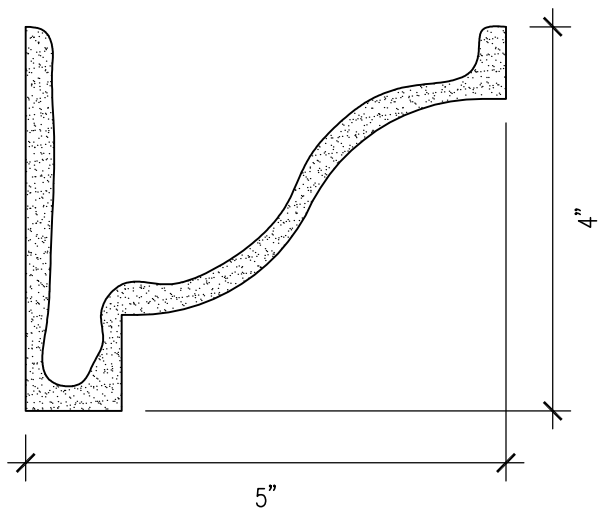
**LT-26**  
SCALE 3"=1'-0"



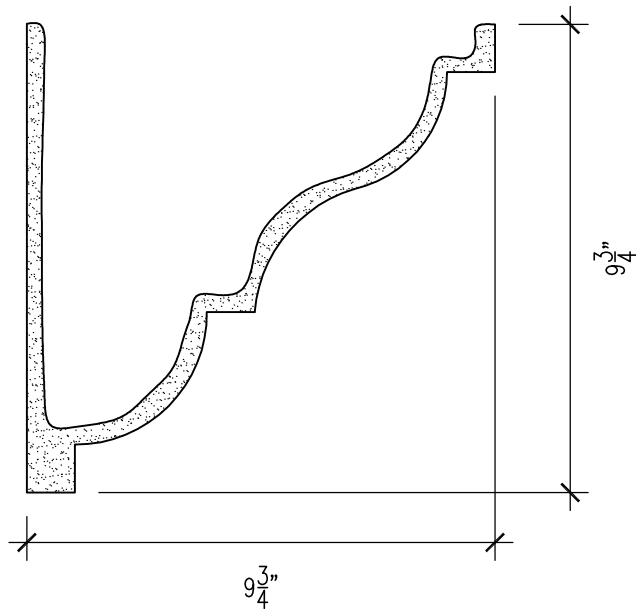
**MOONLIGHT  
MOLDS, inc.**

13720 S. Western Ave., Unit A · Gardena, CA 90249  
Phone: (310) 538-9142 · Fax: (310) 538-9717

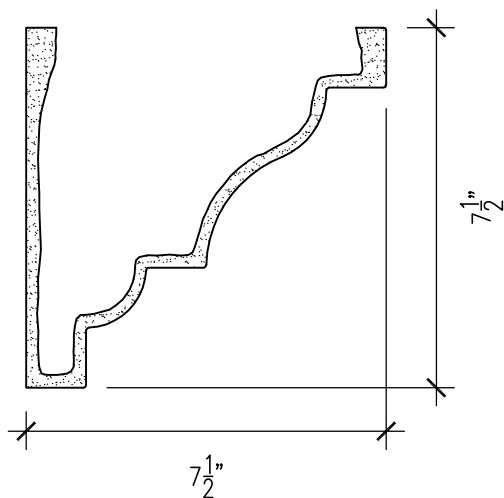
Project Name: STANDARD LIGHT TROUGH	
Customer Name:	
Date Drawn: 6-29-99	Drawn By: CHEON
Job Number:	Sheet Number: 11-04



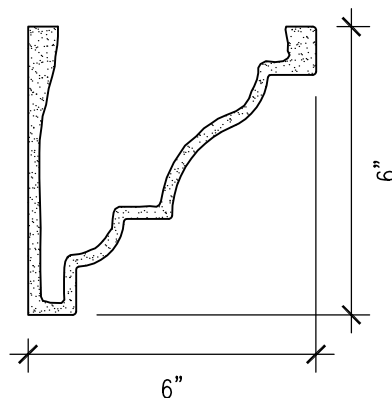
**LT-29**  
SCALE 6"=1'-0"



**LT-30**  
SCALE 3"=1'-0"



**LT-31**  
SCALE 6"=1'-0"



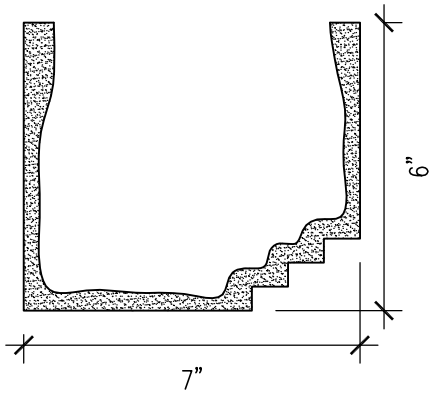
**LT-32**  
SCALE 6"=1'-0"



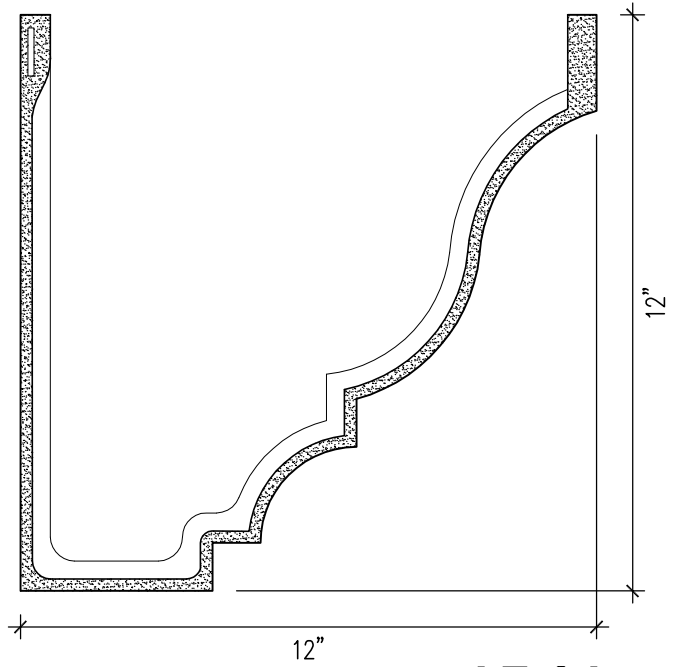
**MOONLIGHT  
MOLDS, inc.**

13720 S. Western Ave., Unit A · Gardena, CA 90249  
Phone: (310) 538-9142 · Fax: (310) 538-9717

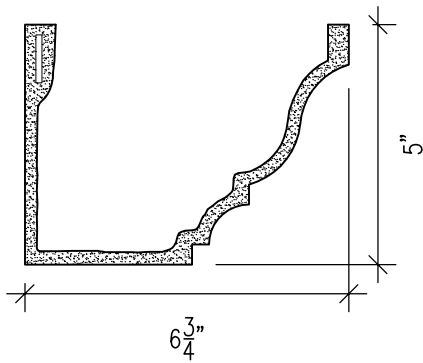
Project Name:		LIGHT TROUGH	
Customer Name:			
Date Drawn:	3-14-2000	Drawn By:	SZ
Job Number:		Sheet Number:	11-05



**LT-33**  
SCALE 3"=1'-0"



**LT-34**  
SCALE 3"=1'-0"



**LT-35**  
SCALE 3"=1'-0"



**MOONLIGHT  
MOLDS, inc.**

13720 S. Western Ave., Unit A · Gardena, CA 90249  
Phone: (310) 538-9142 · Fax: (310) 538-9717

Project Name:		LIGHT TROUGH	
Customer Name:			
Date Drawn:	3-25-2002	Drawn By:	JLG
Job Number:		Sheet Number:	11-06