

COVE MOULDING SECTION

A

SCALE: 3" = 1'-0"

NOTES:

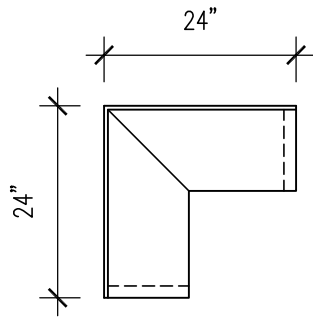
1. GLASS REINFORCED GYPSUM (GRG) IS FOR INDOOR USE ONLY. FINISH IS SMOOTH, WHITE AND READY FOR PRIMER AND PAINT.
2. FASTENING METHODS, BRACING AND SUPPORTS SHOWN ARE OFFERED AS GUIDES ONLY. LOCAL CODE REQUIREMENTS AND JOB CONDITIONS MUST BE VERIFIED.
3. INSTALLATION HARDWARE, INCLUDING BRACES, STUDS FASTENERS, TAPE AND JOINT COMPOUND TO BE SUPPLIED BY OTHERS.
4. COVE MOULDING SUPPLIED IN 96" LENGTHS AND 24"x24" PREFABRICATED 90° CORNERS.



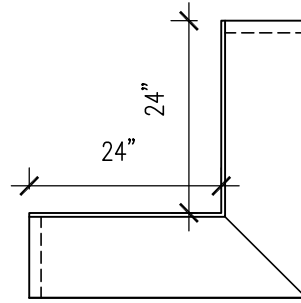
**MOONLIGHT
MOLDS, inc.**

13720 S. Western Ave., Unit A · Gardena, CA 90249
Phone: (310) 538-9142 · Fax: (310) 538-9717

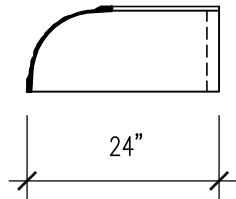
Project Name: STANDARD COVE MOULDING	
Customer Name:	
Date Drawn: 7-6-99	Drawn By: SZ
Job Number:	Sheet Number: 9-01



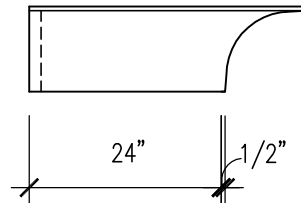
A **STANDARD
INSIDE 90° CORNER**
SCALE: 1/2" = 1'-0"



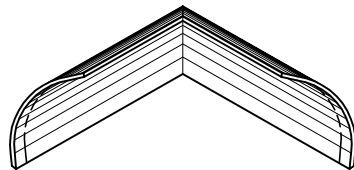
B **STANDARD
OUTSIDE 90° CORNER**
SCALE: 1/2" = 1'-0"



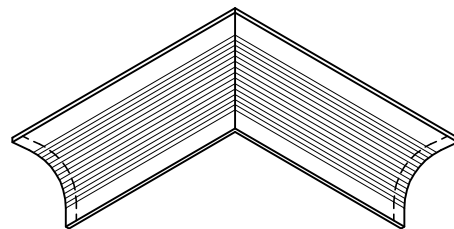
C **SECTION**
SCALE: 1/2" = 1'-0"



D **SECTION**
SCALE: 1/2" = 1'-0"



E **ISO VIEW**
SCALE: 1/2" = 1'-0"



F **ISO VIEW**
SCALE: 1/2" = 1'-0"



**MOONLIGHT
MOLDS, inc.**

13720 S. Western Ave., Unit A · Gardena, CA 90249
Phone: (310) 538-9142 · Fax: (310) 538-9717

Project Name: STANDARD COVE MOULDING

Customer Name:

Date Drawn: 8-6-99

Drawn By: SZ

Job Number:

Sheet Number: 9-02