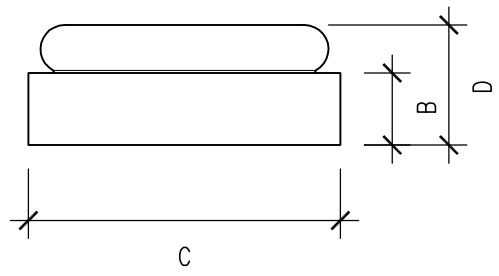
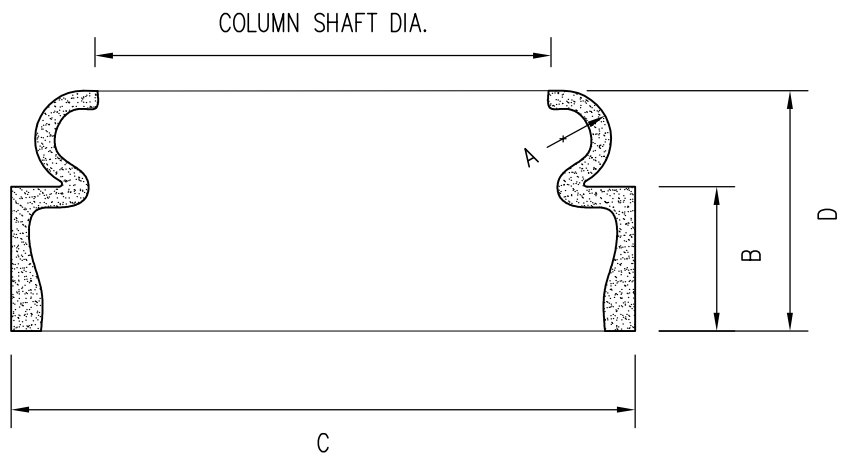


A PLAN VIEW
SCALE: 1 1/2" = 1'-0"



B ELEVATION
SCALE: 1 1/2" = 1'-0"



C SECTION
SCALE: 3" = 1'-0"

COLUMN SHAFT DIA.	DIM. A	DIM. B	DIM. C	DIM. D
10"	1"	3"	13"	5"
12"	1 1/4"	3 5/8"	15 1/2"	6 1/8"
16"	1 5/8"	4 3/4"	20 3/4"	8"
18"	1 3/4"	5 1/2"	23 1/2"	9"
24"	2"	6"	26"	10"
30"	2 1/2"	7 1/2"	38"	12 1/2"
36"	3"	9"	39"	15"

NOTES

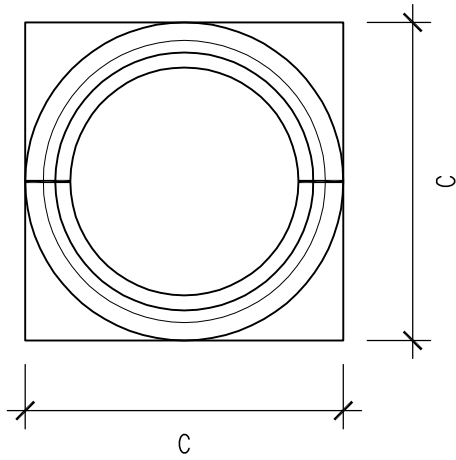
1. COLUMN BASE SUPPLIED IN FRP, GRG OR GFRC
2. INSTALLATION HARDWARE, INCLUDING BRACES, STUDS FASTENERS, TAPE AND JOINT COMPOUND TO BE SUPPLIED BY OTHERS
3. COLUMN BASE SUPPLIED IN HALVES OR ONE WHOLE
4. COLUMN BASE CAN ALSO BE USED AS A CAPITAL



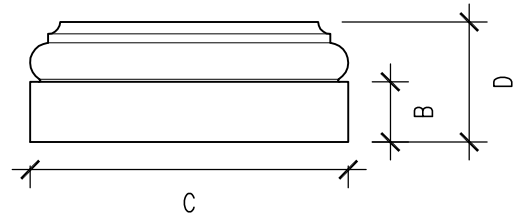
MOONLIGHT MOLDS, inc.

13720 S. Western Ave., Unit A · Gardena, CA 90249
Phone: (310) 538-9142 · Fax: (310) 538-9717

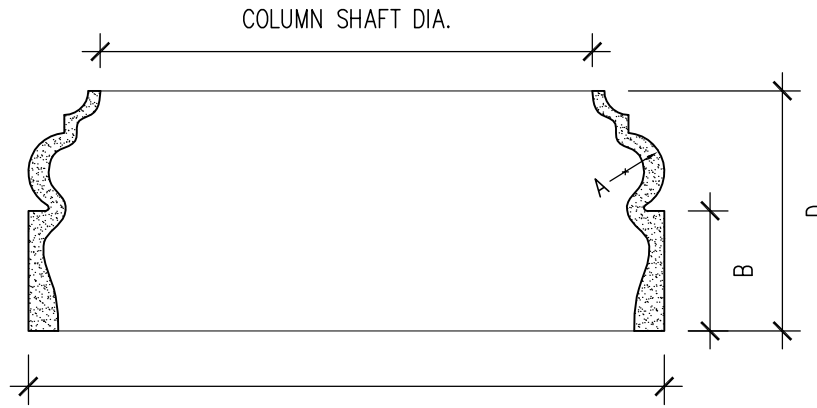
Project Name: COLUMN BASE (CB-1)	
Customer Name:	
Date Drawn: 1-16-2000	Drawn By: SZ
Job Number:	Sheet Number: 8-01



A **PLAN VIEW**
SCALE: 1 1/2" = 1'-0"



B **ELEVATION**
SCALE: 1 1/2" = 1'-0"



C **SECTION**
SCALE: 3" = 1'-0"

COLUMN SHAFT DIA.	DIM. A	DIM. B	DIM. C	DIM. D
6"	1/2"	1 1/2"	8 1/16"	3"
8"	5/8"	2"	10 3/4"	4"
10"	13/16"	2 1/2"	13 1/4"	5"
12"	1 1/4"	3"	16 1/4"	6 1/2"
14"	1 1/8"	3 1/2"	18 5/16"	7"
16"	1 11/32"	4"	21 1/4"	8 1/16"
18"	1 17/32"	4 1/2"	23 3/4"	9"
22"	1 27/32"	5 1/2"	28 13/16"	11"
24"	2 1/32"	6"	31 3/8"	12"
30"	2 7/16"	7 1/2"	40"	15"
36"	2 15/16"	9"	47 11/16"	18"

NOTES

1. COLUMN BASE SUPPLIED IN FRP, GRG OR GFRC
2. INSTALLATION HARDWARE, INCLUDING BRACES, STUDS FASTENERS, TAPE AND JOINT COMPOUND TO BE SUPPLIED BY OTHERS
3. COLUMN BASE SUPPLIED IN HALVES OR ONE WHOLE
4. COLUMN BASE CAN ALSO BE USED AS A CAPITAL



**MOONLIGHT
MOLDS, inc.**

13720 S. Western Ave., Unit A · Gardena, CA 90249
Phone: (310) 538-9142 · Fax: (310) 538-9717

Project Name: COLUMN BASE (CB-2)

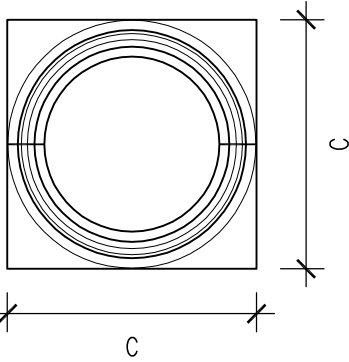
Customer Name:

Date Drawn: 11-10-2000

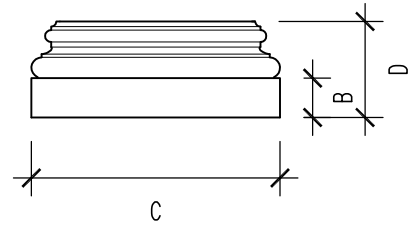
Drawn By: JLG

Job Number:

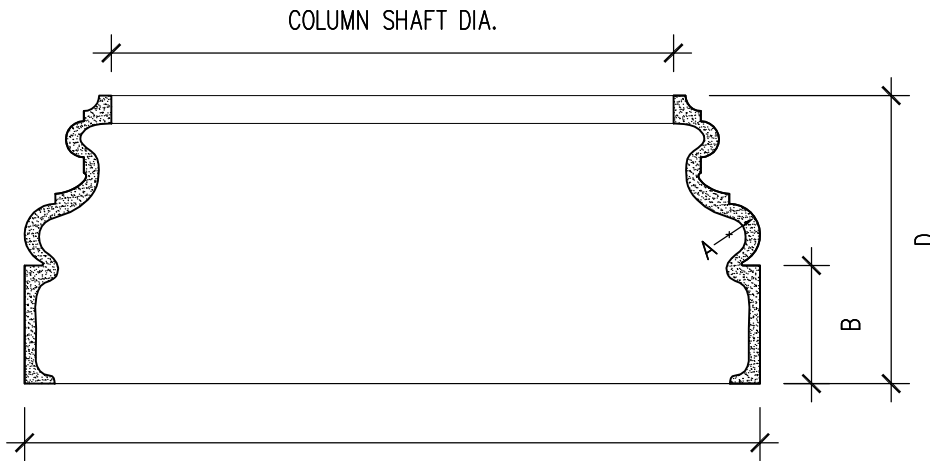
Sheet Number: 8-02



A **PLAN VIEW**
SCALE: NONE



B **ELEVATION**
SCALE: NONE



C **SECTION**
SCALE: NONE

COLUMN DIA.	8"	9"	10"	12"	14"	15"	16"	17"	18"	19"
A	$\frac{7}{16}$ "	$\frac{1}{2}$ "	$\frac{9}{16}$ "	$\frac{5}{8}$ "	$\frac{3}{4}$ "	$\frac{13}{16}$ "	$\frac{7}{8}$ "	$\frac{15}{16}$ "	$\frac{15}{16}$ "	1"
B	$2\frac{1}{16}$ "	$1\frac{7}{8}$ "	$2\frac{1}{16}$ "	$2\frac{7}{16}$ "	$2\frac{9}{16}$ "	$2\frac{5}{8}$ "	$3\frac{1}{2}$ "	$3\frac{5}{8}$ "	$3\frac{11}{16}$ "	4"
C	$10\frac{1}{2}$ "	$11\frac{5}{8}$ "	13"	15"	$18\frac{1}{8}$ "	$19\frac{1}{4}$ "	$20\frac{7}{8}$ "	22"	$23\frac{1}{4}$ "	$24\frac{1}{2}$ "
D	5"	$4\frac{1}{2}$ "	5"	6"	7"	$7\frac{3}{4}$ "	$8\frac{1}{4}$ "	$8\frac{5}{8}$ "	9"	$9\frac{1}{2}$ "
COLUMN DIA.	20"	22"	24"	25"	26"	30"	34"	36"	48"	
A	1"	$1\frac{3}{16}$ "	$1\frac{5}{16}$ "	$1\frac{5}{16}$ "	$1\frac{3}{8}$ "	$1\frac{5}{8}$ "	$1\frac{13}{16}$ "	$1\frac{15}{16}$ "	$2\frac{5}{8}$ "	
B	$4\frac{1}{8}$ "	4"	$4\frac{15}{16}$ "	$5\frac{1}{8}$ "	$5\frac{1}{2}$ "	$6\frac{1}{4}$ "	7"	6"	$9\frac{1}{4}$ "	
C	$25\frac{13}{16}$ "	$29\frac{1}{2}$ "	32"	$32\frac{5}{16}$ "	34"	40"	$45\frac{3}{8}$ "	48"	63"	
D	10"	$10\frac{1}{2}$ "	12"	$12\frac{1}{2}$ "	13"	15"	17"	18"	$23\frac{3}{4}$ "	

NOTES

1. COLUMN BASE SUPPLIED IN GRC, GFRC OR FRP
2. INSTALLATION HARDWARE, INCLUDING BRACES, STUDS, FASTENERS TAPE AND JOINT COMPOUND TO BE SUPPLIED BY OTHERS.
3. COLUMN BASE SUPPLIED IN HALVES OR ONE WHOLE



**MOONLIGHT
MOLDS, inc.**

13720 S. Western Ave., Unit A · Gardena, CA 90249
Phone: (310) 538-9142 · Fax: (310) 538-9717

Project Name: COLUMN BASE (CB-21)

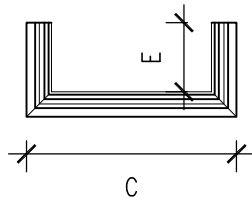
Customer Name:

Date Drawn: 10-21-2004

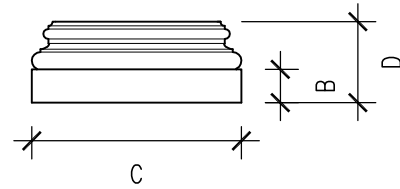
Drawn By: SKW

Job Number:

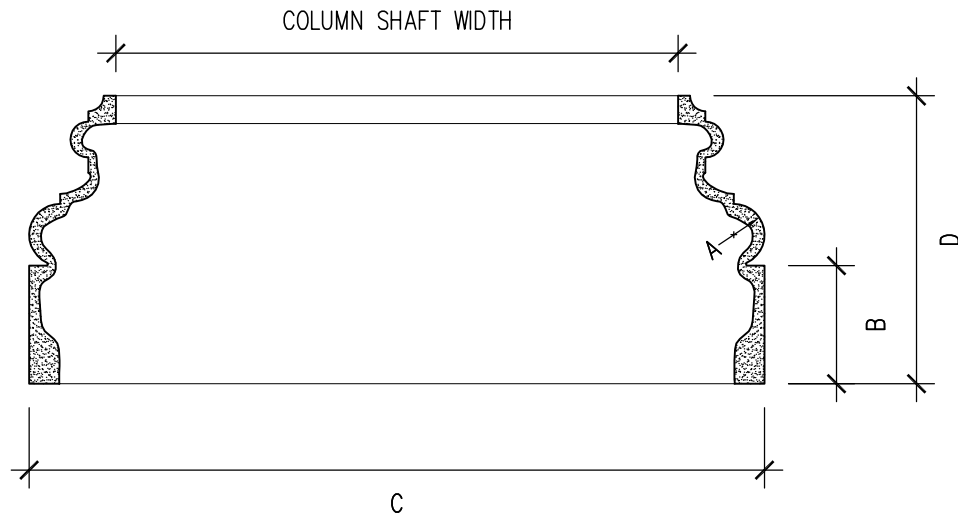
Sheet Number: 8-21



A **PLAN VIEW**
SCALE: 1" = 1'-0"



B **ELEVATION**
SCALE: 1" = 1'-0"



C **SECTION**
SCALE: 3" = 1'-0"

COLUMN WIDTH	9"	10"	12"	12"	12"	15"	18"	18"	30"
DIM. A	7/16"	9/16"	5/8"	5/8"	5/8"	13/16"	15/16"	15/16"	1 15/16"
DIM. B	2"	2 3/16"	2 1/2"	2 1/2"	2 1/2"	2 3/4"	2 1/2"	2 1/2"	6"
DIM. C	11 13/16"	13 1/8"	15 3/4"	15 3/4"	15 3/4"	19 1/4"	22 1/2"	22 1/2"	38 1/4"
DIM. D	4 1/2"	5"	6"	6"	6"	7 3/4"	8"	8"	15"
DIM. E	4 1/2"	4"	2 1/2"	4 1/4"	6"	3"	1 1/2"	9"	15"

NOTES

1. COLUMN BASE SUPPLIED IN GRG, GFRC OR FRP
2. INSTALLATION HARDWARE, INCLUDING BRACES, STUDS, FASTENERS TAPE AND JOINT COMPOUND TO BE SUPPLIED BY OTHERS
3. COLUMN BASE SUPPLIED IN HALVES OR ONE WHOLE



**MOONLIGHT
MOLDS, inc.**
13720 S. Western Ave., Unit A · Gardena, CA 90249
Phone: (310) 538-9142 · Fax: (310) 538-9717

Project Name: COLUMN BASE (CB-21SQ.)	
Customer Name:	
Date Drawn: 2-2-2000	Drawn By: SZ
Job Number:	Sheet Number: 8-22