

**NOTES:**

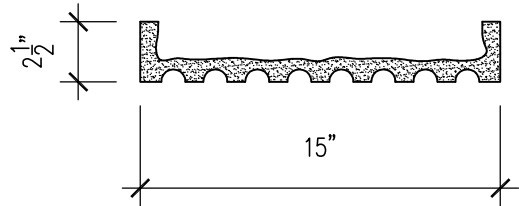
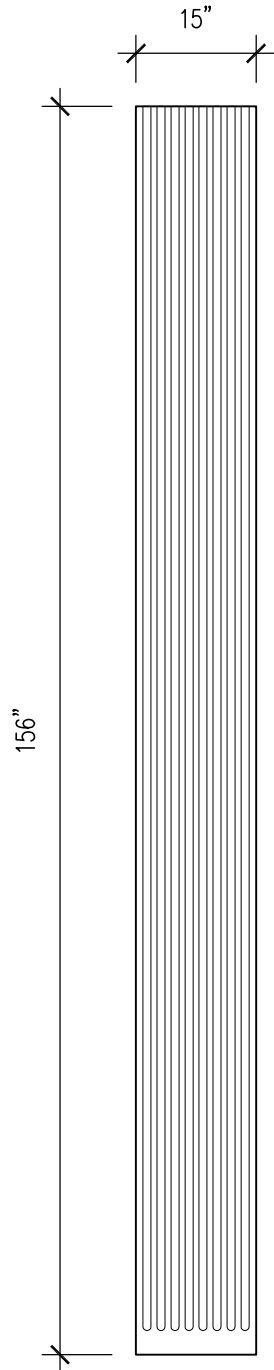
1. PILASTER CAN BE FABRICATED IN GRG,GFRC, FRP, OR PRECAST CONCRETE
2. INSTALLATION HARDWARE, INCLUDING BRACES, STUDS, FASTENERS, TAPE AND JOINT COMPOUND TO BE SUPPLIED BY OTHERS



**MOONLIGHT  
MOLDS, inc.**

13720 S. Western Ave., Unit A · Gardena, CA 90249  
 Phone: (310) 538-9142 · Fax: (310) 538-9717

Project Name:		PILASTER(P-1)	
Customer Name:			
Date Drawn:	7-21-99	Drawn By:	SZ
Job Number:		Sheet Number:	6-01



**B SECTION**  
SCALE: 1 1/2" = 1'-0"

**A P-7 ELEVATION**  
SCALE: 1/2" = 1'-0"

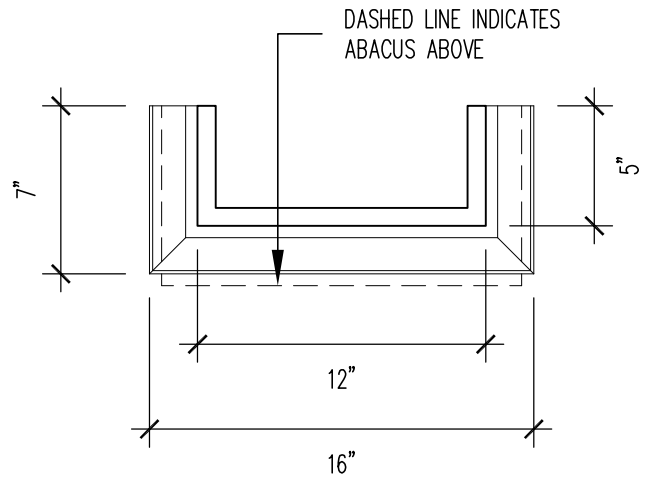
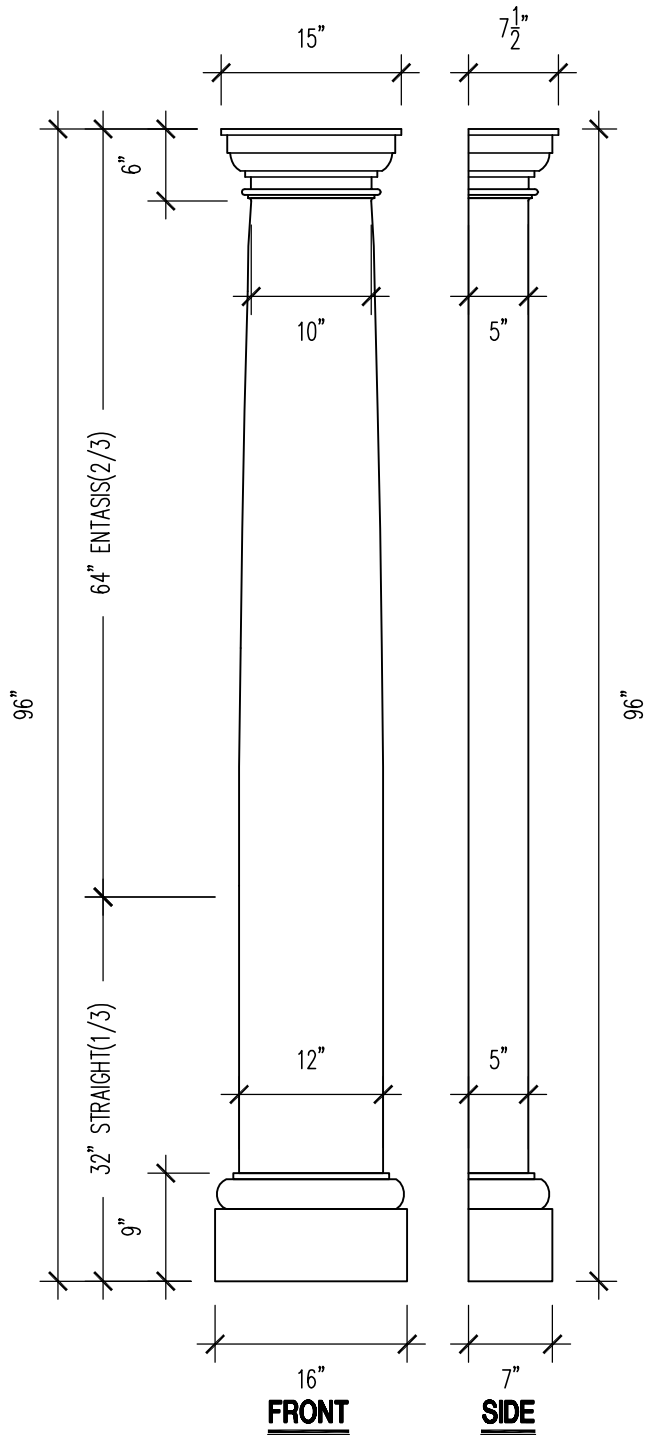
**NOTES:**

1. PILASTER CAN BE FABRICATED IN GRG, GFRC, FRP, OR PRECAST CONCRETE
2. INSTALLATION HARDWARE, INCLUDING BRACES, STUDS, FASTENERS, TAPE AND JOINT COMPOUND TO BE SUPPLIED BY OTHERS



**MOONLIGHT  
MOLDS, inc.**  
13720 S. Western Ave., Unit A · Gardena, CA 90249  
Phone: (310) 538-9142 · Fax: (310) 538-9717

Project Name: PILASTER(P-7)	
Customer Name:	
Date Drawn: 7-23-99	Drawn By: SZ
Job Number:	Sheet Number: 6-08



**P-13**  
**PLAN VIEW**  
 SCALE: 1 1/2" = 1'-0"

**B**  
**ELEVATIONS**  
 SCALE: 3/4" = 1'-0"

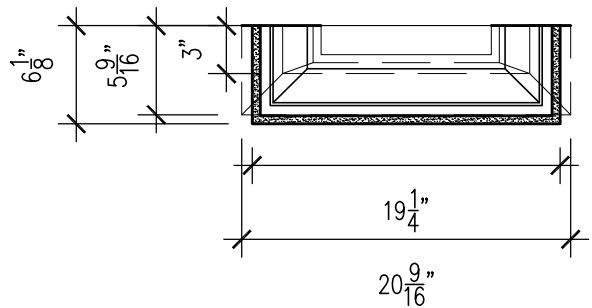
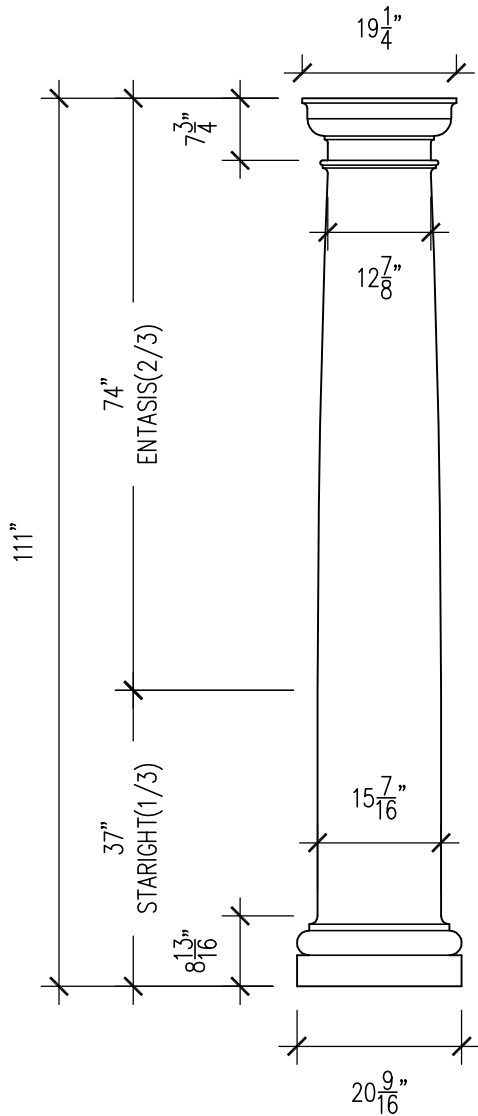
**NOTES:**

1. PILASTER CAN BE FABRICATED IN GRC, GFRG, FRP, OR PRECAST CONCRETE
2. INSTALLATION HARDWARE, INCLUDING BRACES, STUDS, FASTENERS, TAPE AND JOINT COMPOUND TO BE SUPPLIED BY OTHERS



**MOONLIGHT  
 MOLDS, inc.**  
 13720 S. Western Ave., Unit A · Gardena, CA 90249  
 Phone: (310) 538-9142 · Fax: (310) 538-9717

Project Name: TUSCAN COLUMN (P-13)	
Customer Name:	
Date Drawn: 7-30-99	Drawn By: SZ
Job Number:	Sheet Number: 6-14



**A** P-14  
**PLAN VIEW**  
 SCALE: 1" = 1'-0"

**B** ELEVATION  
 SCALE: 1/2" = 1'-0"

**NOTES:**

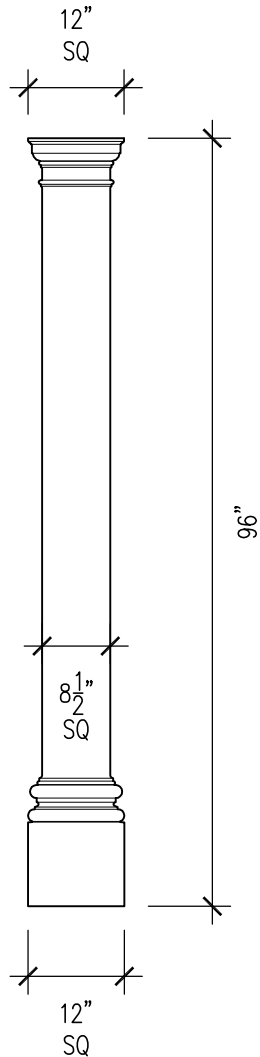
1. PILASTER CAN BE FABRICATED IN GRG, GFRC, FRP, OR PRECAST CONCRETE
2. INSTALLATION HARDWARE, INCLUDING BRACES, STUDS, FASTENERS, TAPE AND JOINT COMPOUND TO BE SUPPLIED BY OTHERS



**MOONLIGHT  
 MOLDS, inc.**

13720 S. Western Ave., Unit A · Gardena, CA 90249  
 Phone: (310) 538-9142 · Fax: (310) 538-9717

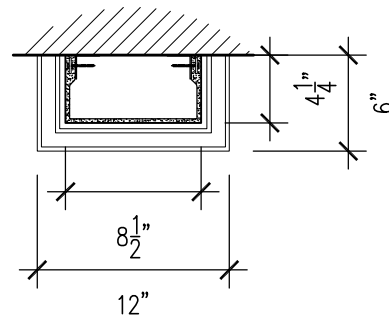
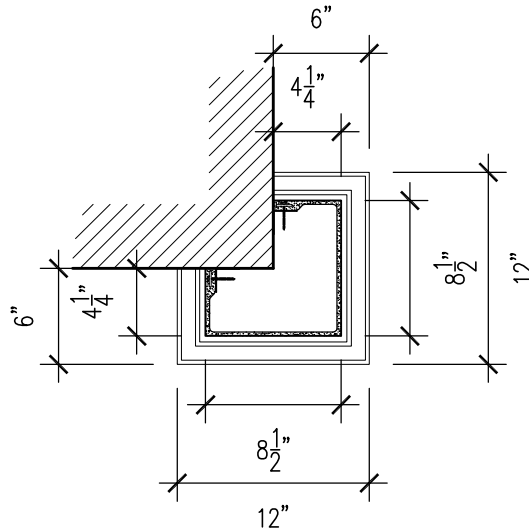
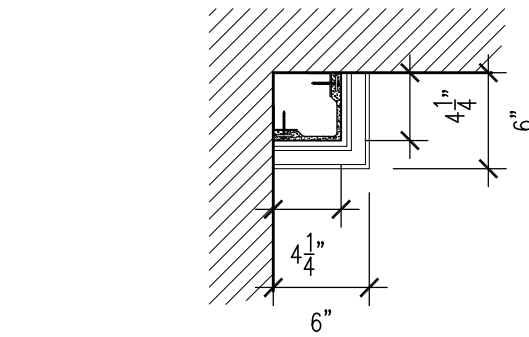
Project Name: TUSCAN COLUMN (P-14)	
Customer Name:	
Date Drawn: 7-30-99	Drawn By: SZ
Job Number:	Sheet Number: 6-15



**P-17  
ELEVATION**

**B**

SCALE: 1/2" = 1'-0"



**P-17  
PLAN VIEWS**

**A**

SCALE: 1" = 1'-0"

**NOTES:**

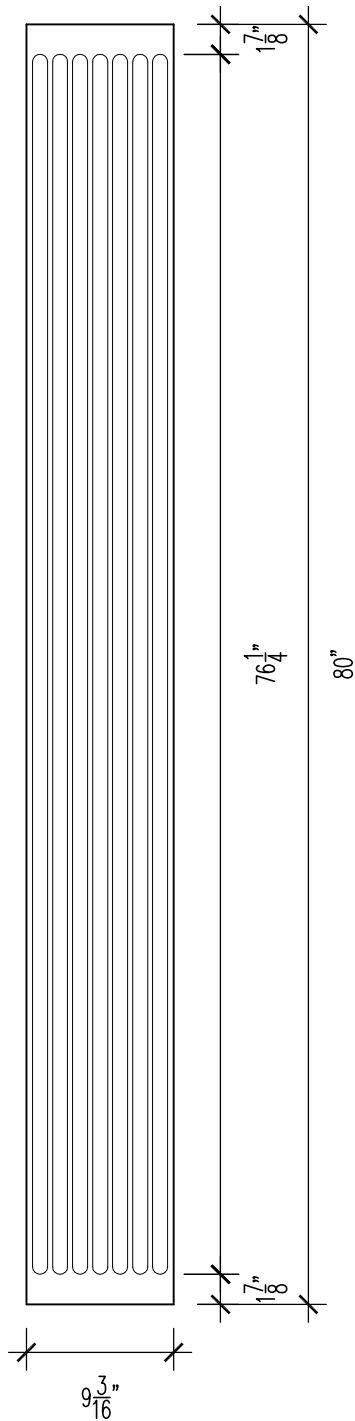
1. INSTALLATION HARDWARE, INCLUDING BRACES, STUDS, FASTENERS, TAPE AND JOINT COMPOUND TO BE SUPPLIED BY OTHERS.



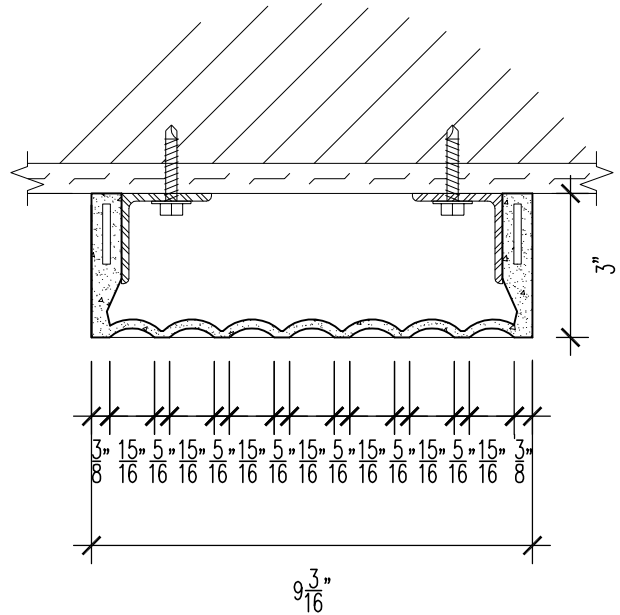
**MOONLIGHT  
MOLDS, inc.**

13720 S. Western Ave., Unit A · Gardena, CA 90249  
Phone: (310) 538-9142 · Fax: (310) 538-9717

Project Name: PILASTER (P-17)	
Customer Name:	
Date Drawn: 5-08-2001	Drawn By: JLG
Job Number:	Sheet Number: 6-18



**B** ELEVATION  
SCALE: 1" = 1'-0"



**A** PLAN VIEW  
P-18  
SCALE: 1" = 1'-0"

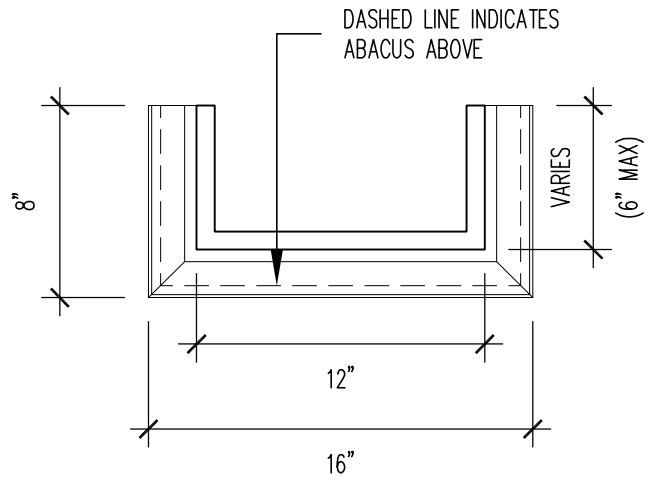
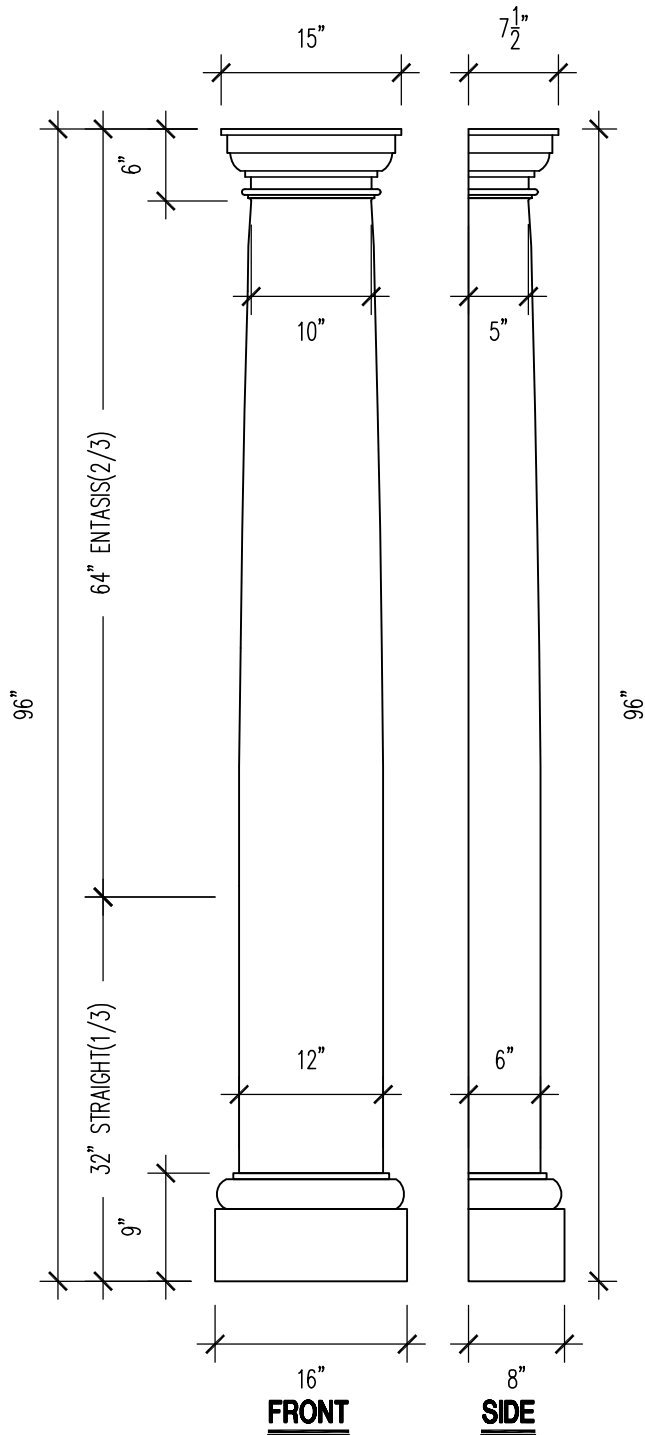
**NOTES:**

1. PILASTER CAN BE FABRICATED IN GRG, GFRC, FRP, OR PRECAST CONCRETE
2. INSTALLATION HARDWARE, INCLUDING BRACES, STUDS, FASTENERS, TAPE AND JOINT COMPOUND TO BE SUPPLIED BY OTHERS



**MOONLIGHT  
MOLDS, inc.**  
13720 S. Western Ave., Unit A · Gardena, CA 90249  
Phone: (310) 538-9142 · Fax: (310) 538-9717

Project Name: FLUTED PILASTER (P-18)	
Customer Name:	
Date Drawn: 02-08-05	Drawn By: JLG
Job Number:	Sheet Number: 6-19



**A** P-19  
**PLAN VIEW**  
 SCALE: 1 1/2" = 1'-0"

**B** **ELEVATIONS**  
 SCALE: 3/4" = 1'-0"

**NOTES:**

1. PILASTER CAN BE FABRICATED IN GRC, GFRG, FRP, OR PRECAST CONCRETE
2. INSTALLATION HARDWARE, INCLUDING BRACES, STUDS, FASTENERS, TAPE AND JOINT COMPOUND TO BE SUPPLIED BY OTHERS



**MOONLIGHT  
 MOLDS, inc.**  
 13720 S. Western Ave., Unit A · Gardena, CA 90249  
 Phone: (310) 538-9142 · Fax: (310) 538-9717

Project Name: TUSCAN COLUMN (P-19)	
Customer Name:	
Date Drawn: 10-2-2006	Drawn By: JLG
Job Number:	Sheet Number: 6-20