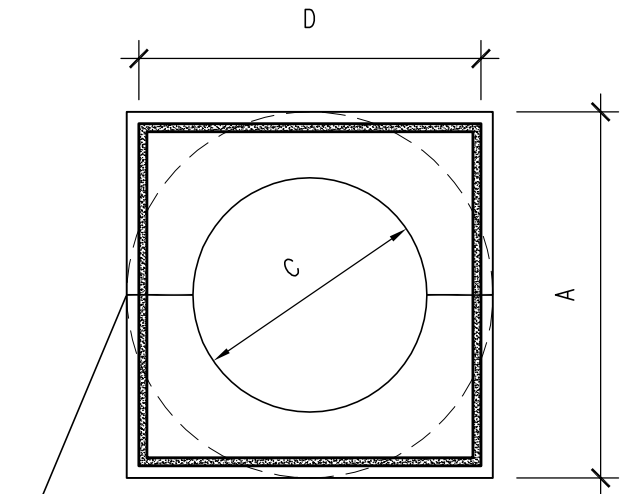


B ELEVATION

SCALE: 1/2" = 1'-0"



TAPE JOINT
OPTIONAL

A PLAN VIEW

SCALE: 1" = 1'-0"

AVAILABLE SIZES

PART#	DIM. H	DIM. A	DIM. B	DIM. C	DIM. D
TC-6	6'-0"	1'-1 7/16"	0'-10"	0'-8 5/16"	1'-0 9/16"
TC-7	7'-0"	1'-4"	1'-0"	0'-10"	1'-3"
TC-8	8'-0"	1'-6 1/4"	1'-1 11/16"	0'-11 7/16"	1'-5 1/8"
TC-9	9'-0"	1'-8 9/16"	1'-3 7/8"	1'-0 7/8"	1'-7 1/4"
TC-10	10'-0"	1'-10 7/8"	1'-5 1/8"	1'-2 5/16"	1'-9 3/8"
TC-12	12'-0"	2'-3 7/16"	1'-8 9/16"	1'-5 1/8"	2'-0"
TC-15	15'-0"	2'-8 3/4"	1'-11 1/2"	1'-8 1/8"	2'-5 5/8"

NOTES:

1. INSTALLATION HARDWARE, INCLUDING BRACES, STUDS, FASTENERS, TAPE AND JOINT COMPOUND TO BE SUPPLIED BY OTHERS.
2. COLUMN SUPPLIED IN HALVES



**MOONLIGHT
MOLDS, inc.**

13720 S. Western Ave., Unit A · Gardena, CA 90249
Phone: (310) 538-9142 · Fax: (310) 538-9717

Project Name: CLASSIC TUSCAN COLUMN

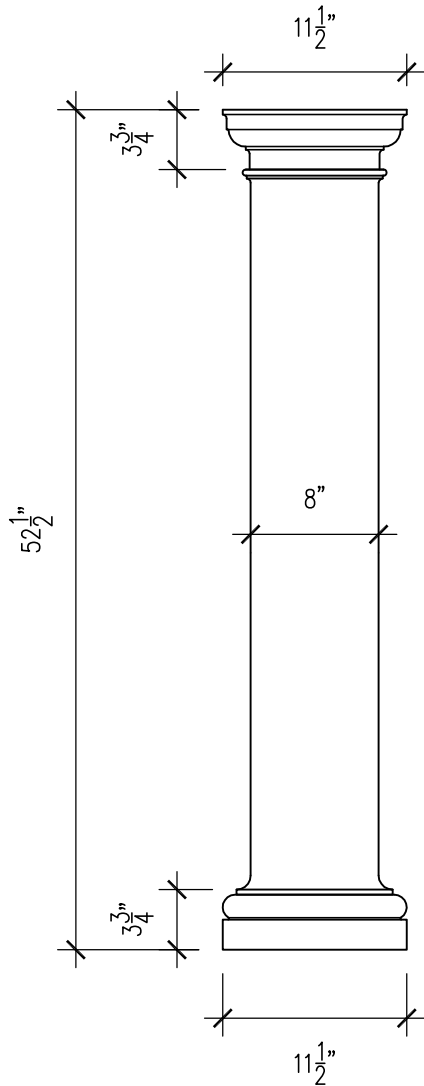
Customer Name:

Date Drawn: 7-7-99

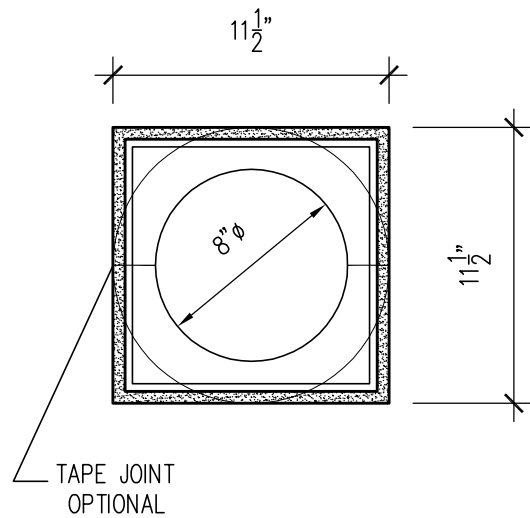
Drawn By: SZ

Job Number:

Sheet Number: 3-01



B **ELEVATION**
SCALE: 1" = 1'-0"



A **PLAN VIEW**
TC-4-4 1/2
SCALE: 1 1/2" = 1'-0"

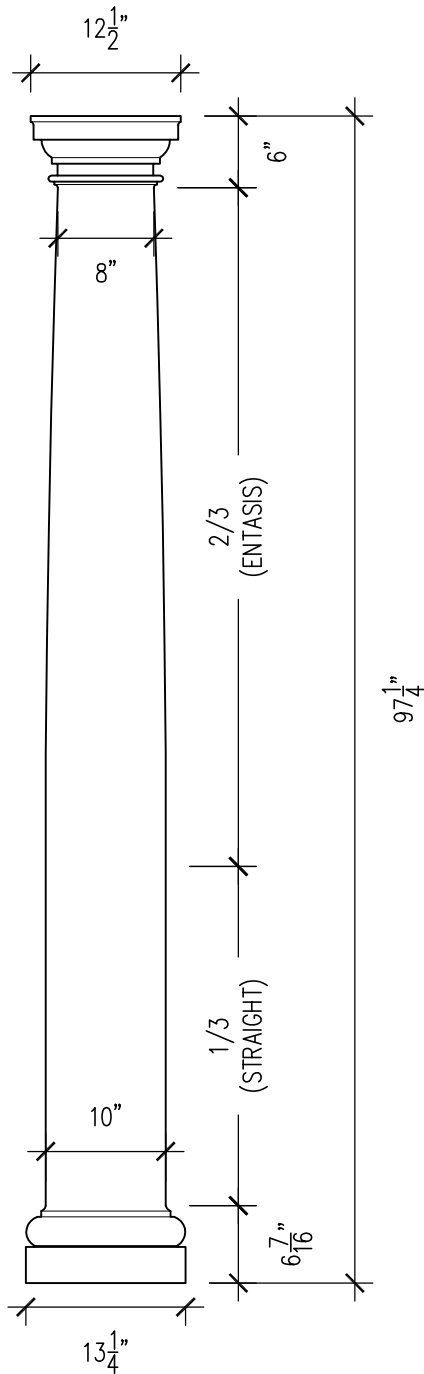
NOTES:

1. INSTALLATION HARDWARE, INCLUDING BRACES, STUDS, FASTENERS, TAPE AND JOINT COMPOUND TO BE SUPPLIED BY OTHERS.
2. COLUMN SUPPLIED IN HALVES

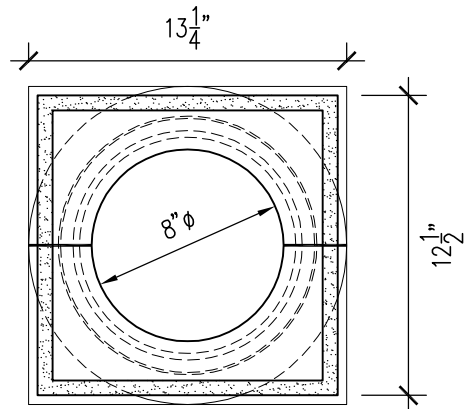


**MOONLIGHT
MOLDS, inc.**
13720 S. Western Ave., Unit A · Gardena, CA 90249
Phone: (310) 538-9142 · Fax: (310) 538-9717

Project Name: TUSCAN COLUMN(TC-4-4 1/2)	
Customer Name:	
Date Drawn: 7-8-99	Drawn By: SZ
Job Number:	Sheet Number: 3-04



B **ELEVATION**
SCALE: 3/4" = 1'-0"



A **PLAN VIEW**
TC-8-1 1/4
SCALE: 1 1/2" = 1'-0"

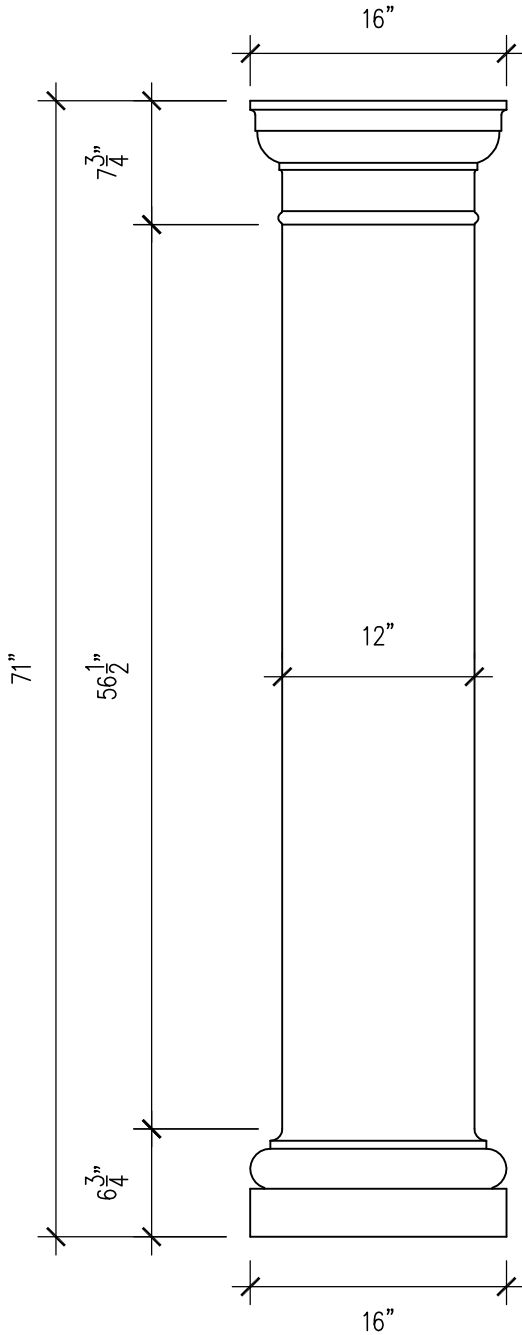
NOTES:

1. INSTALLATION HARDWARE, INCLUDING BRACES, STUDS, FASTENERS, TAPE AND JOINT COMPOUND TO BE SUPPLIED BY OTHERS.
2. COLUMN SUPPLIED IN HALVES

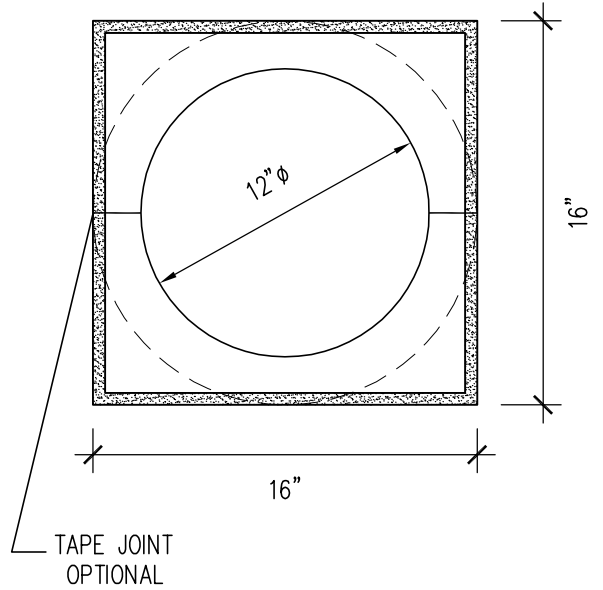


**MOONLIGHT
MOLDS, inc.**
13720 S. Western Ave., Unit A · Gardena, CA 90249
Phone: (310) 538-9142 · Fax: (310) 538-9717

Project Name: TUSCAN COLUMN (TC-8-1 1/4)	
Customer Name:	
Date Drawn: 3-15-2000	Drawn By: SZ
Job Number:	Sheet Number: 3-06



B **ELEVATION**
SCALE: 1" = 1'-0"



A **PLAN VIEW**
TC-6A
SCALE: 1 1/2" = 1'-0"

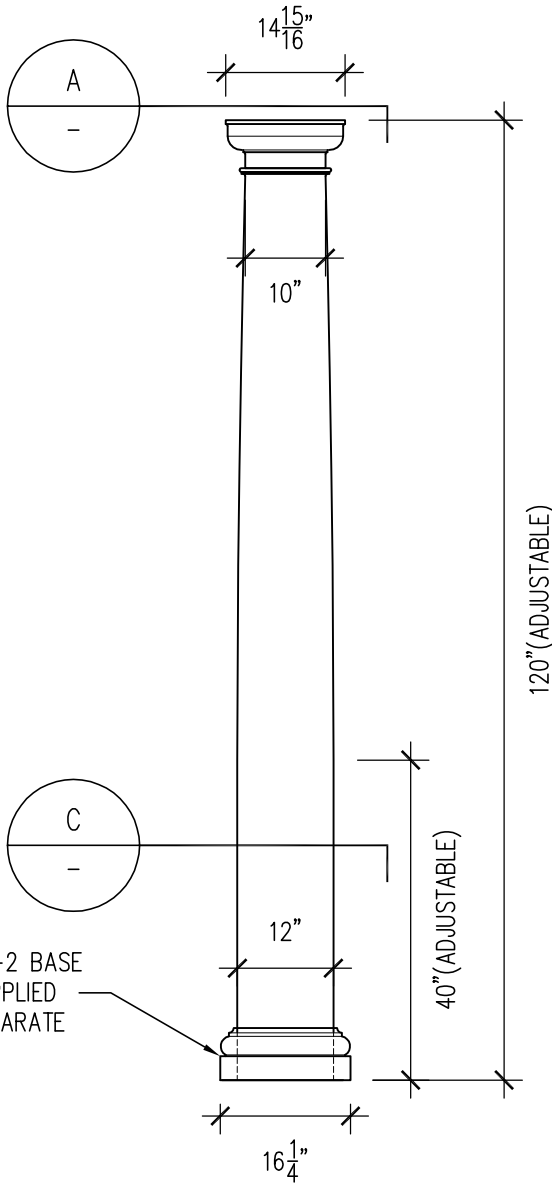
NOTES:

1. INSTALLATION HARDWARE, INCLUDING BRACES, STUDS, FASTENERS, TAPE AND JOINT COMPOUND TO BE SUPPLIED BY OTHERS.
2. COLUMN SUPPLIED IN HALVES



**MOONLIGHT
MOLDS, inc.**
13720 S. Western Ave., Unit A · Gardena, CA 90249
Phone: (310) 538-9142 · Fax: (310) 538-9717

Project Name: TUSCAN COLUMN(TC-6A)	
Customer Name:	
Date Drawn: 7-9-99	Drawn By: SZ
Job Number:	Sheet Number: 3-07

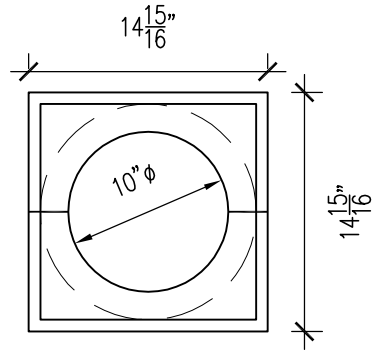


CB-2 BASE
SUPPLIED
SEPARATE

**TC-10A
ELEVATION**



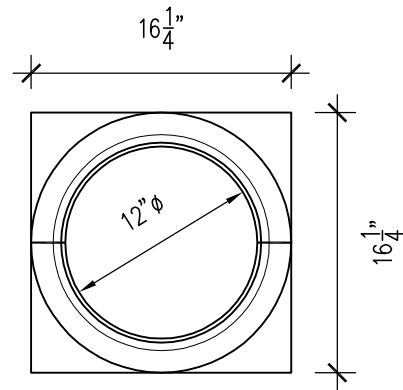
SCALE: 1/2" = 1'-0"



**TC-10A
PLAN VIEW**



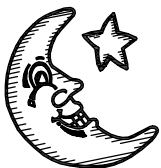
SCALE: 12" = 1'-0"



**CB-2
PLAN VIEW**



SCALE: 12" = 1'-0"



**MOONLIGHT
MOLDS, inc.**

13720 S. Western Ave., Unit A · Gardena, CA 90249
Phone: (310) 538-9142 · Fax: (310) 538-9717

Project Name: TUSCAN COLUMN(TC-10A)

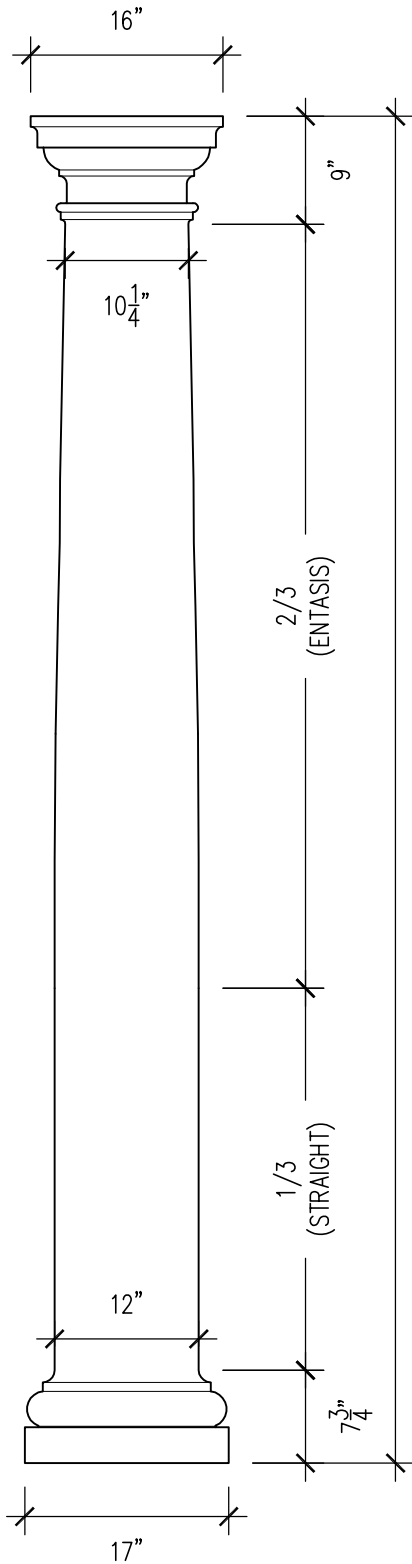
Customer Name:

Date Drawn: 1-21-2000

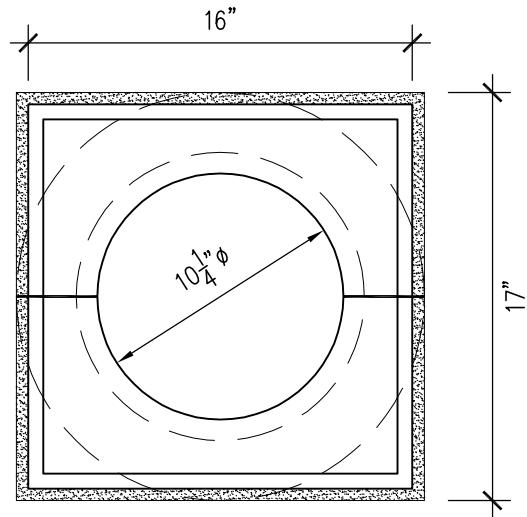
Drawn By: SZ

Job Number:

Sheet Number: 3-08



B **ELEVATION**
SCALE: 3/4" = 1'-0"



A **PLAN VIEW**
TC-9-4 1/4
SCALE: 1 1/2" = 1'-0"

NOTES:

1. INSTALLATION HARDWARE, INCLUDING BRACES, STUDS, FASTENERS, TAPE AND JOINT COMPOUND TO BE SUPPLIED BY OTHERS.
2. COLUMN SUPPLIED IN HALVES



**MOONLIGHT
MOLDS, inc.**

13720 S. Western Ave., Unit A · Gardena, CA 90249
Phone: (310) 538-9142 · Fax: (310) 538-9717

Project Name: TUSCAN COLUMN (TC-9-41/4)

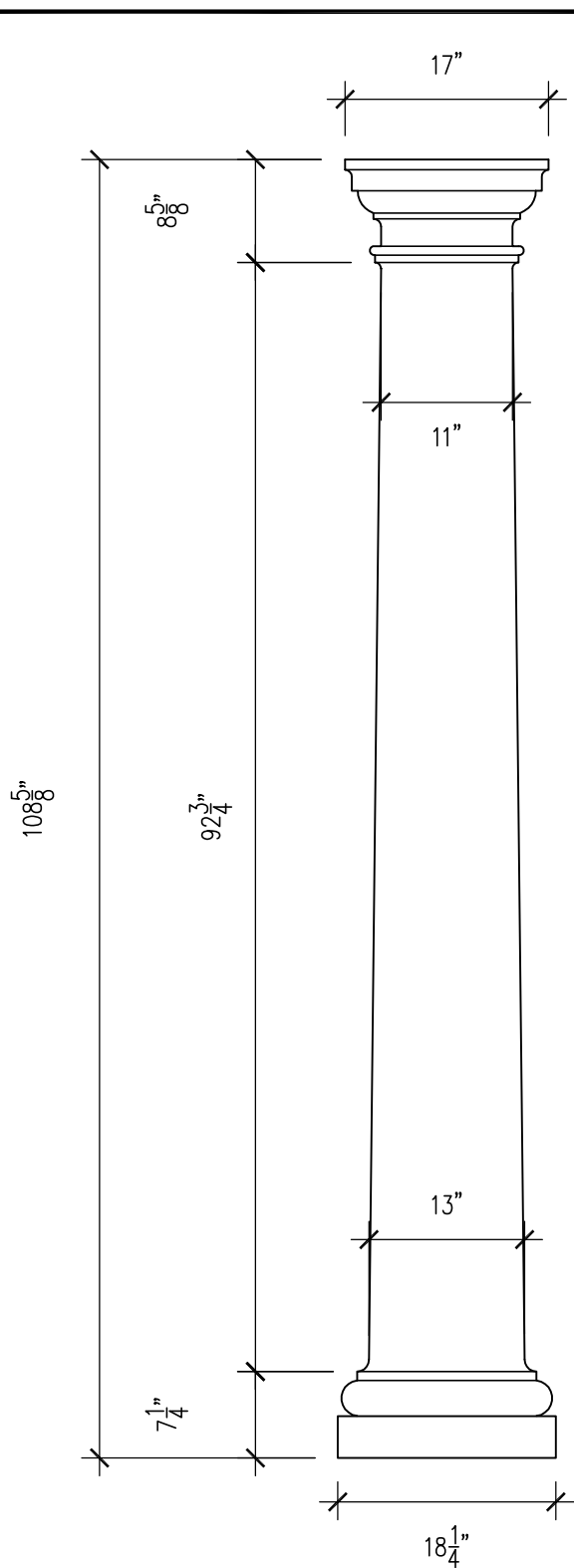
Customer Name:

Date Drawn: 3-15-2000

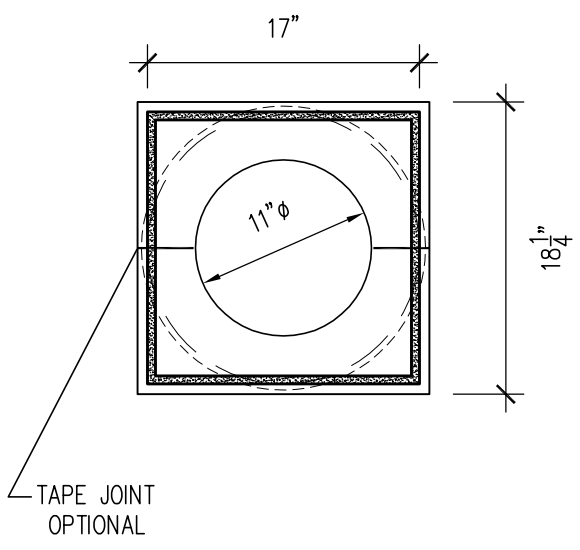
Drawn By: SZ

Job Number:

Sheet Number: 3-09



B **ELEVATION**
SCALE: 3/4" = 1'-0"



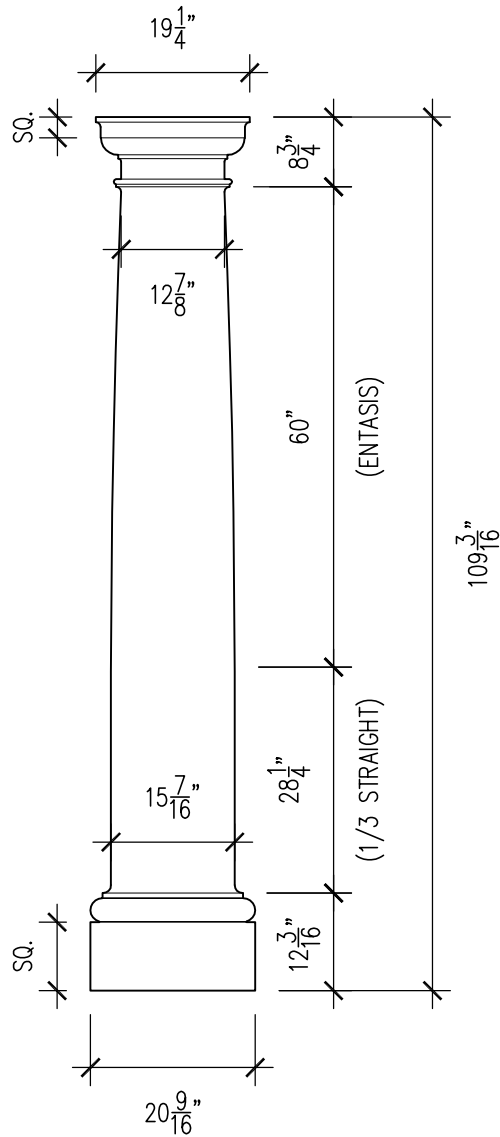
A **PLAN VIEW**
TC-9-0 5/8
SCALE: 1" = 1'-0"

- NOTES:**
1. INSTALLATION HARDWARE, INCLUDING BRACES, STUDS, FASTENERS, TAPE AND JOINT COMPOUND TO BE SUPPLIED BY OTHERS.
 2. COLUMN SUPPLIED IN HALVES

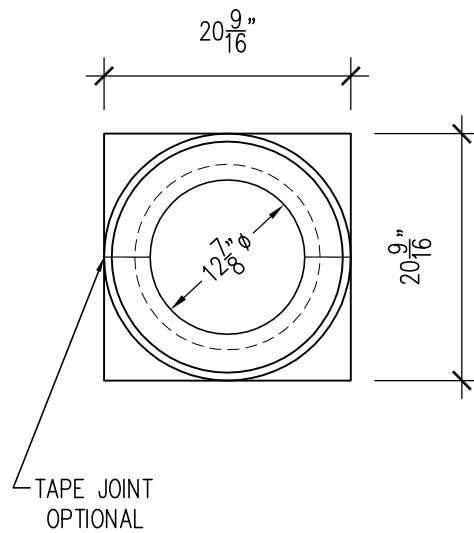


**MOONLIGHT
MOLDS, inc.**
13720 S. Western Ave., Unit A · Gardena, CA 90249
Phone: (310) 538-9142 · Fax: (310) 538-9717

Project Name: TUSCAN COLUMN (TC-9-0 5/8)	
Customer Name:	
Date Drawn: 7-8-99	Drawn By: SZ
Job Number:	Sheet Number: 3-10



B **ELEVATION**
SCALE: 1/2" = 1'-0"



A **PLAN VIEW**
TC-9-1 1/2
SCALE: 3/4" = 1'-0"

NOTES:

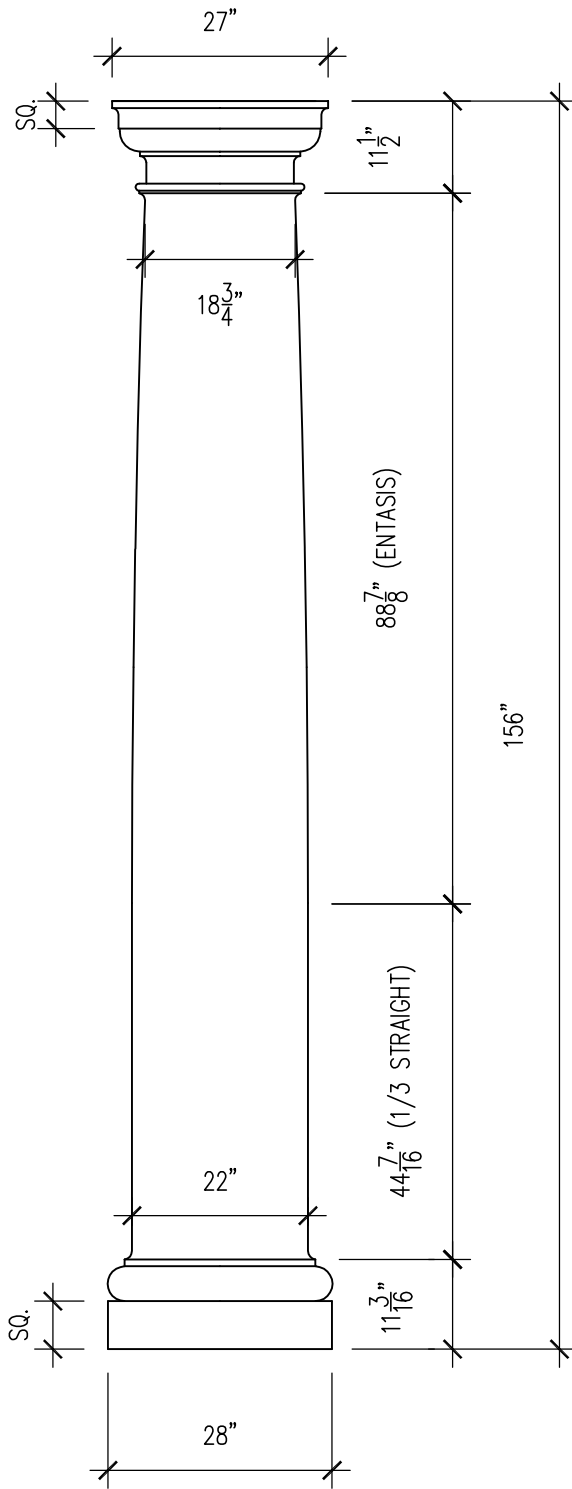
1. INSTALLATION HARDWARE, INCLUDING BRACES, STUDS, FASTENERS, TAPE AND JOINT COMPOUND TO BE SUPPLIED BY OTHERS.
2. COLUMN SUPPLIED IN HALVES



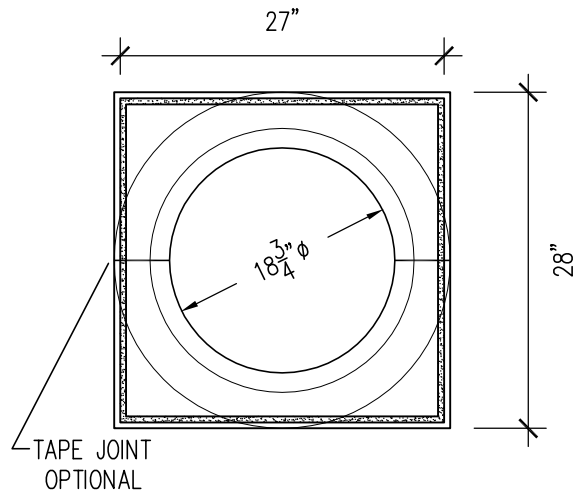
**MOONLIGHT
MOLDS, inc.**

13720 S. Western Ave., Unit A · Gardena, CA 90249
Phone: (310) 538-9142 · Fax: (310) 538-9717

Project Name: TUSCAN COLUMN (TC-9-1 1/2)	
Customer Name:	
Date Drawn: 7-28-99	Drawn By: SZ
Job Number:	Sheet Number: 3-12



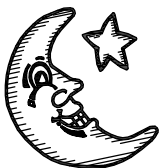
B ELEVATION
SCALE: 1/2" = 1'-0"



A PLAN VIEW
TC-13
SCALE: 3/4" = 1'-0"

NOTES:

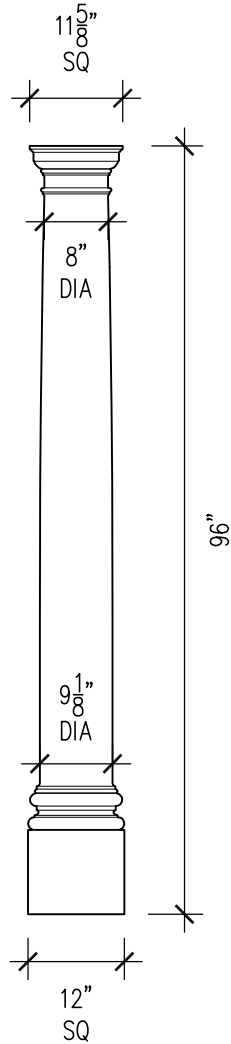
1. INSTALLATION HARDWARE, INCLUDING BRACES, STUDS, FASTENERS, TAPE AND JOINT COMPOUND TO BE SUPPLIED BY OTHERS.
2. COLUMN SUPPLIED IN HALVES



**MOONLIGHT
MOLDS, inc.**

13720 S. Western Ave., Unit A · Gardena, CA 90249
Phone: (310) 538-9142 · Fax: (310) 538-9717

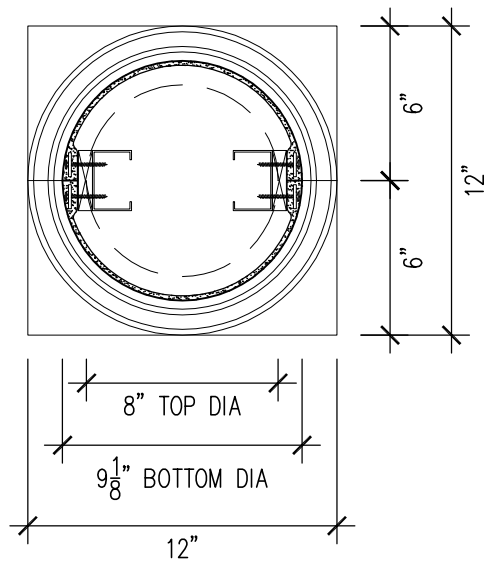
Project Name: TUSCAN COLUMN (TC-13)	
Customer Name:	
Date Drawn: 7-26-99	Drawn By: SZ
Job Number:	Sheet Number: 3-16



**TC-8A
ELEVATION**

B

SCALE: 1/2" = 1'-0"



**TC-8A
PLAN VIEW**

A

SCALE: 1 1/2" = 1'-0"

NOTES:

1. INSTALLATION HARDWARE, INCLUDING BRACES, STUDS, FASTENERS, TAPE AND JOINT COMPOUND TO BE SUPPLIED BY OTHERS.
2. COLUMN SUPPLIED IN HALVES



**MOONLIGHT
MOLDS, inc.**

13720 S. Western Ave., Unit A · Gardena, CA 90249
Phone: (310) 538-9142 · Fax: (310) 538-9717

Project Name: TUSCAN COLUMN (TC-8A)

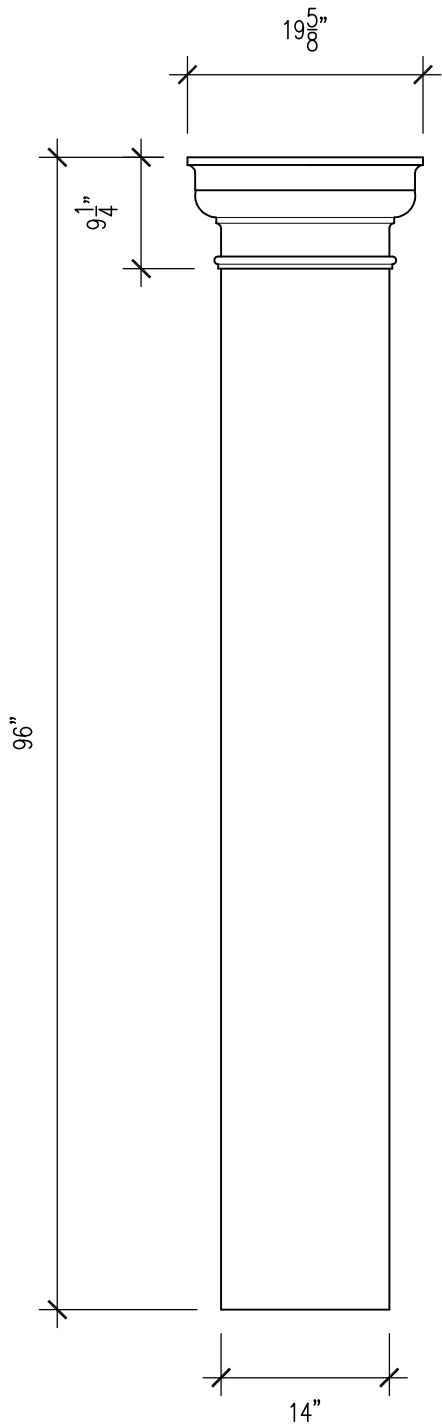
Customer Name:

Date Drawn: 5-08-2001

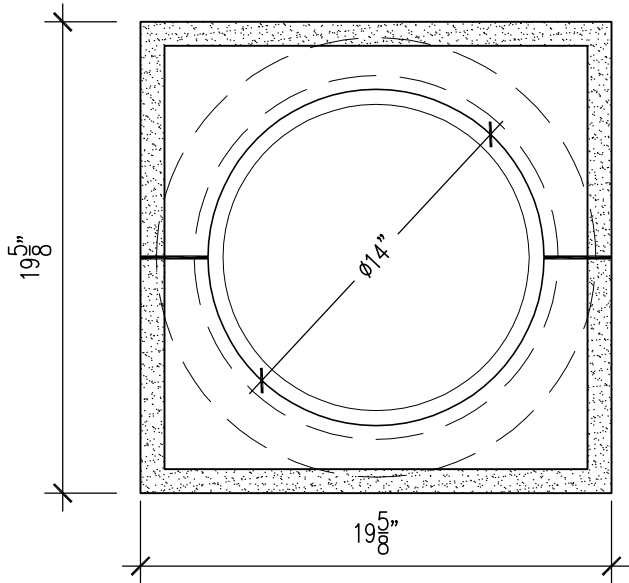
Drawn By: JLG

Job Number:

Sheet Number: 3-19



B **TC-8B ELEVATION**
 SCALE: 3/4" = 1'-0"



A **TC-8B PLAN VIEW**
 SCALE: 1 1/2" = 1'-0"

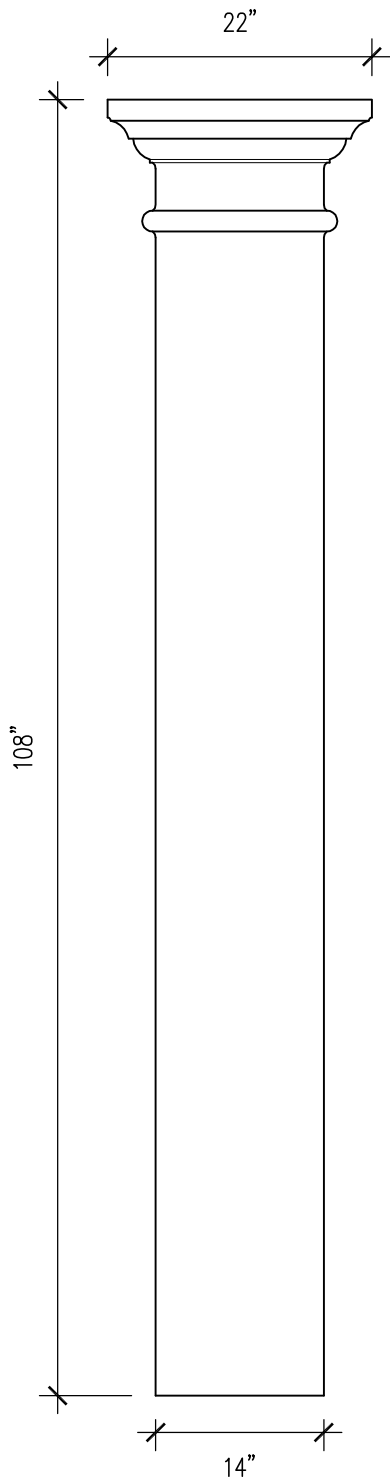
NOTES:

1. INSTALLATION HARDWARE, INCLUDING BRACES, STUDS, FASTENERS, TAPE AND JOINT COMPOUND TO BE SUPPLIED BY OTHERS.
2. COLUMN SUPPLIED IN HALVES

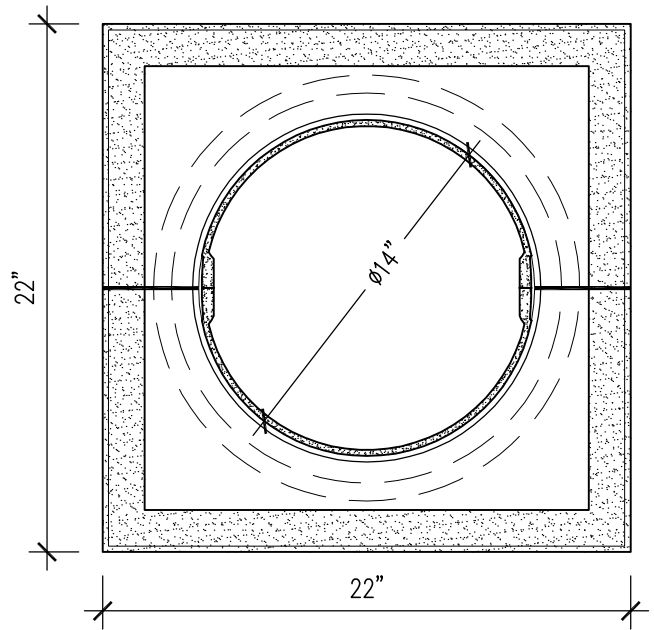


MOONLIGHT MOLDS, inc.
 13720 S. Western Ave., Unit A · Gardena, CA 90249
 Phone: (310) 538-9142 · Fax: (310) 538-9717

Project Name: TUSCAN COLUMN (TC-8B)	
Customer Name:	
Date Drawn: 12-23-2003	Drawn By: AR
Job Number:	Sheet Number: 3-20



B **TC-8C ELEVATION**
 SCALE: 3/4" = 1'-0"



A **TC-8C PLAN VIEW**
 SCALE: 1 1/2" = 1'-0"

NOTES:

1. INSTALLATION HARDWARE, INCLUDING BRACES, STUDS, FASTENERS, TAPE AND JOINT COMPOUND TO BE SUPPLIED BY OTHERS.
2. COLUMN SUPPLIED IN HALVES



**MOONLIGHT
 MOLDS, inc.**

13720 S. Western Ave., Unit A · Gardena, CA 90249
 Phone: (310) 538-9142 · Fax: (310) 538-9717

Project Name: TUSCAN COLUMN (TC-8C)	
Customer Name:	
Date Drawn: 12-23-2003	Drawn By: AR
Job Number:	Sheet Number: 3-21